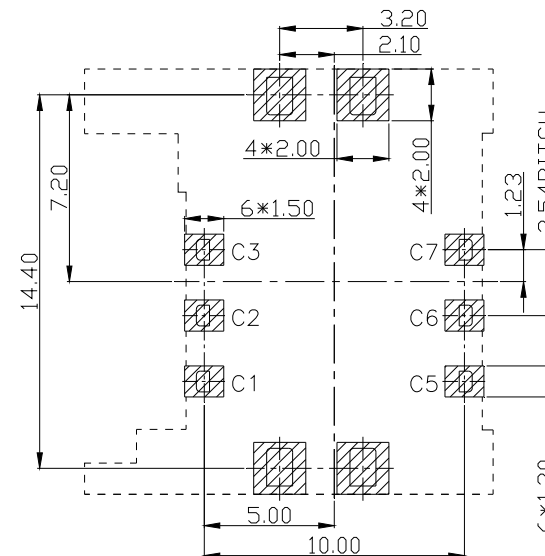


Unit: mm; Tolerances: ± 0.15 mm

Figure 5.1 Mechanical outline dimension (w/o post)



Unit: mm; Tolerances: ± 0.05 mm

Figure 5.2 Reference dimension for PCB layout (w/o post)

Note:

1. Coplanarity of solder pins 0.10mm max.
2. Recommended thickness of solder paste > 0.15mm.

RoHS Compliant

TOLERANCES ARE

MORETHANALL
PCB CONNECTORS
Cable ASSEMBLIES

DRAWING BY CY

X. \pm

CHECKED BY GENIUS

.X \pm

UNIT / mm

SCALE 1 : 1

.XX \pm

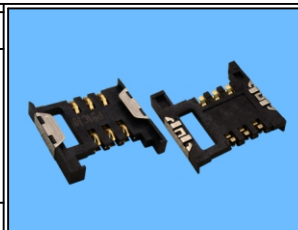
DATE

.XXX \pm

ANG \pm

SIZE A4

P PROJECTION



ORDER INFORMATION

SCU-W1028X-06-LF
SERIES | | | LEADFREE
| | | 06 WAY
| | | NON POST
| | | BODY HIGH 2.8mm
| | | PAD TO PAD 10.0mm
| | | 90°SMT

煜倫股份有限公司

www.morethanall.com

DESCRIPTION: