

APPOSE IEEE-488  
HEX SCREW x2PCS

## Material & Finish

### SHELL:

Steel

Nickel plated steel

### PIN CONTACT:

Phosphor Bronze

Gold Flash plated

### INSULATOR:

PBT & Glass-fibre reinforced

UL-94-V0, Blue

### NUMBER OF CONTACT:

14,24,36,50

### CURRENT RATING:

3 Amp

### DIELECTRIC STRENGTH:

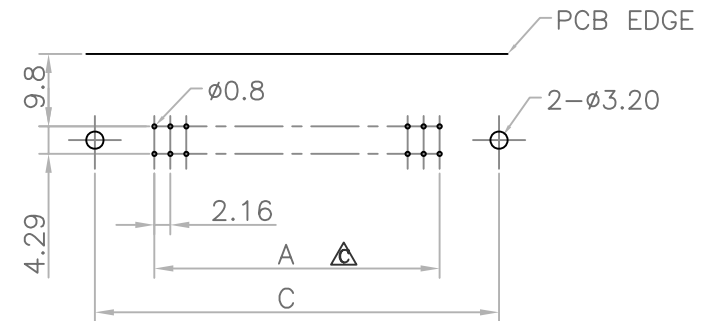
1000V for one minute

### INSULATOR RESISTANCE:

1000MΩ Min. (at 500V DC)

### TEMPERATURE:

-55°C to +105°C



P.C.B. LAYOUT

Positions	A	B	C	D
14	12.96	25.2	36.0	43.9
24	23.76	36.0	46.8	54.7
36	36.72	48.9	59.7	67.7
50	51.84	64.1	74.9	82.8

RoHS Compliant

TOLERANCES ARE

**MORETHANALL**  
PCB CONNECTORS  
Cable ASSEMBLIES

DRAWING BY CY

CHECKED BY GENIUS

UNIT / mm

SCALE 1:1

DATE

SIZE A4

PPOJECTION

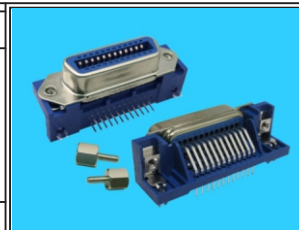
X. ± 0.40

.X ± 0.30

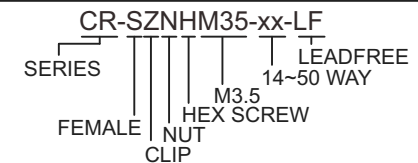
.XX ± 0.20

.XXX ±

ANG ± 3°



ORDER INFORMATION



DESCRIPTION:

CENTRONIC P.C.B. R/A TYPE FEMALE  
RIVET Z SHAPE APPOSE IEEE-488 HEX SCREW

煜倫股份有限公司

www.morethanall.com