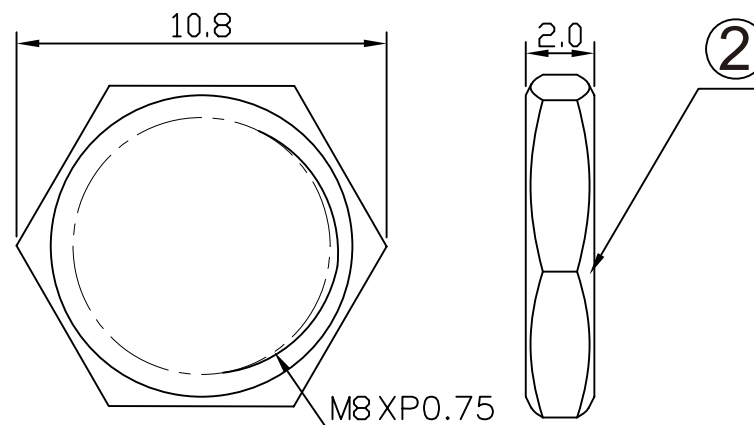


Washer



Nut

2	NUT	1	H59(COPPER ALLOY)	Ni PLATED
1	WASHER	1	H59(COPPER ALLOY)	Ni PLATED
LTR	PART NAME	QTY	MATERIAL	REMARK

RoHS Compliant

TOLERANCES ARE

MORETHANALL
PCB CONNECTORS
Cable ASSEMBLIES

煜倫股份有限公司

www.morethanall.com

DRAWING BY CY

CHECKED BY GENIUS

UNIT / mm

SCALE 1 : 1

DATE

SIZE A4

X, ±
.X ±
.XX ±
.XXX ±
ANG ±

PPOJECTION



ORDER INFORMATION

NW08-1-LF

LEADFREE
SINGLE PACKING
M8
NUT+WASHER

DESCRIPTION: DC POWER JACK