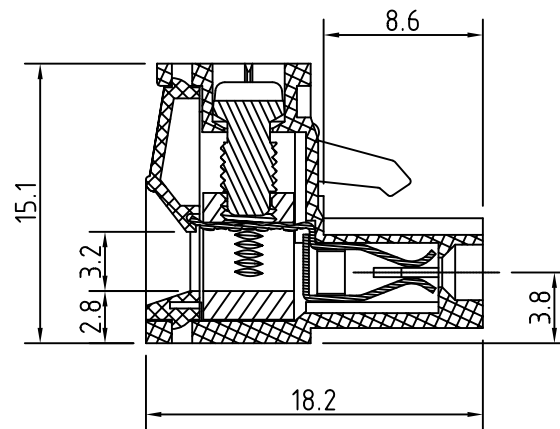


N=Number of contacts



Technical Data:

Material:

- Contact(metal housing): Brass Machined(Option)
- Terminal screw: Steel Galvanized and chromitized or Nickel plated or Tin plated(standard)(optian)
- △ ◦ Wire guard: PhBz, Tin plated.
- Insulator body(housing): Polyamide(Glass filled)(UL94V-0)

Electrical

- △ ◦ Voltage rating: 300VAC
- △ ◦ Current rating: 10 Amps/way max
- Contact resistance: 20mΩ(max)
- Insulation resistance: 5000MΩ/1000V
- Withstanding Voltage: 1500VAC(1min) Test time=60sec/1pcs
- △ ◦ Wire range: 12-24AWG

Mechanical:

- Torque: 4kgf.cm/M3
- Operating temperature: -33°C to +120°C
- Soldering temperature= 250°C/5 seconds max

RoHS Compliant

TOLERANCES ARE

MORETHANALL
PCB CONNECTORS
Cable ASSEMBLIES

煜倫股份有限公司

www.morethanall.com

DRAWING BY CY

CHECKED BY GENIUS

UNIT / mm

SCALE 1 : 1

DATE

SIZE A4

PPOJECTION

X. ±
.X ±
.XX ±
.XXX ±
ANG ±



ORDER INFORMATION

TBH050-SW-xx-LF
SERIES | LEADFREE
02~24WAY
SCREW 90°
FEMALE

DESCRIPTION: 5.0 BOARD TO WIRE