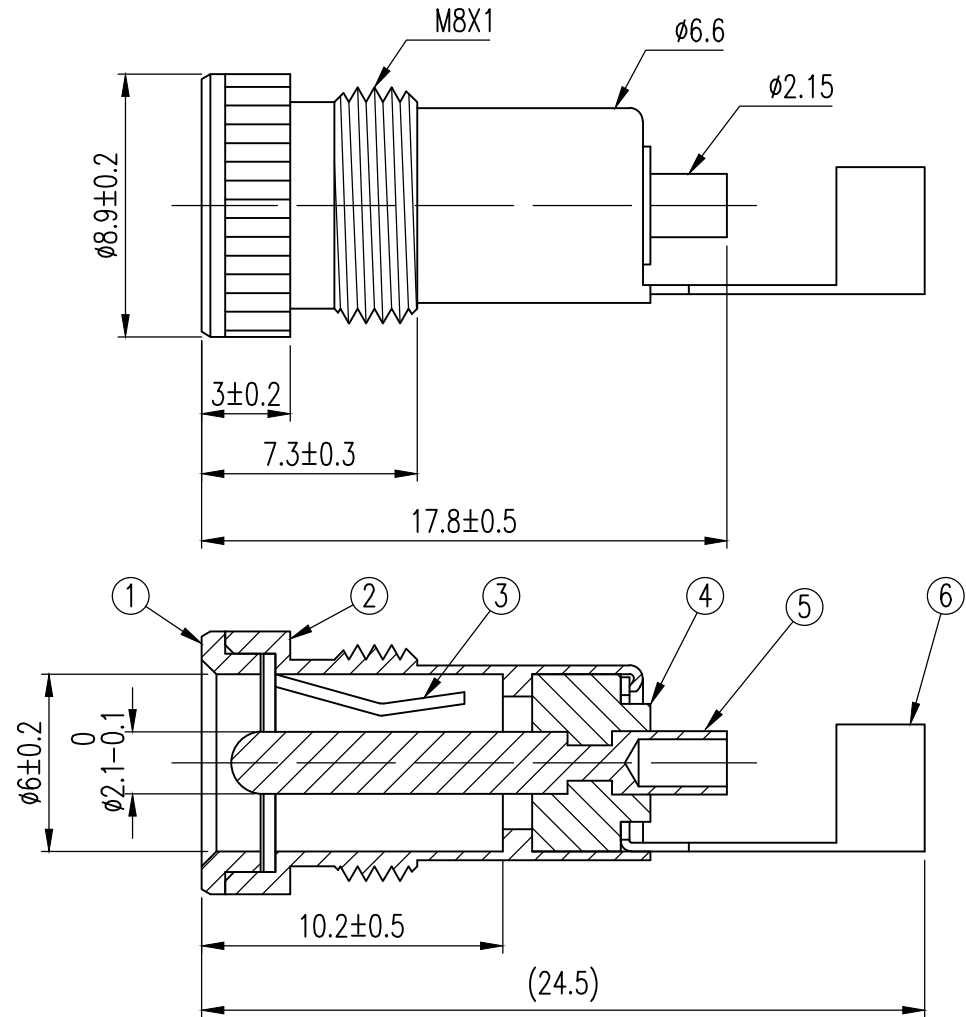


1. Dielectric strength: AC 500V at 1minute.
2. Insulation resistance: DC 500V/100M Ohms min.
3. Rated voltage: 24V DC.
4. Rated current: 5A.

6	BRASS NICKEL
5	BRASS NICKEL
4	ABS BLACK
3	SWC NICKEL
2	BRASS NICKEL
1	BRASS NICKEL
NO	CONTENT



RoHS Compliant

TOLERANCES ARE

MORETHANALL
PCB CONNECTORS
Cable ASSEMBLIES
煜倫股份有限公司

DRAWING BY CY
CHECKED BY GENIUS
UNIT / mm SCALE 1 : 1
DATE

X. ±
.X ±
.XX ±
.XXX ±
ANG ±

SIZE A4 PPROJECTION



ORDER INFORMATION

DCJ-AXC-6021-LF
SERIES | ID: 2.1Ø
LEADFREE
OD: 6.0Ø
NON COVER
ASSEMBLY

DESCRIPTION: DC JACK 5.5X2.1 (Asby Type)

www.morethanall.com