

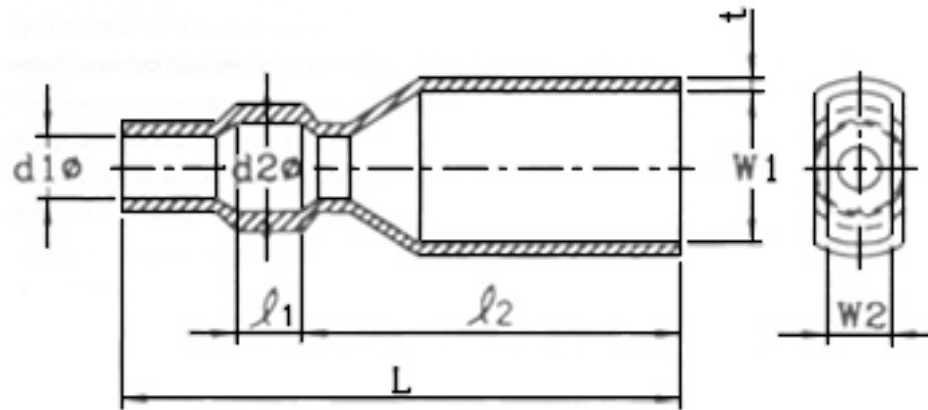
205 flat type sleeves



Item No.	$d_1\phi$	$d_2\phi$	l_1	$l_2 \pm 0.5$	$L \pm 1.5$	W_1	W_2	$t \pm 0.2$
Q205-FV-20	2.0	2.8	2.8	14.0	24.0	6.5	3.0	1.0
Q205-FV-25	2.5	3.5	3.0	14.0	24.0	6.5	3.0	1.0
Q205-FV-30	3.0	4.1	3.0	14.0	24.0	6.5	3.1	1.0
Q205-FV-34	3.4	4.4	3.0	14.0	24.0	6.5	3.0	1.0
Q205-FV-40	4.0	5.0	3.0	14.0	24.0	6.5	3.0	1.0

* Planning to create

Packing unit: 1,000 pcs per bag



RoHS Compliant

TOLERANCES ARE

MORETHANALL
PCB CONNECTORS
Cable ASSEMBLIES

DRAWING BY CY

X, ±

CHECKED BY GENIUS

.X, ±

UNIT / mm

SCALE 1 : 1

.XX, ±

DATE

.XXX, ±

ANG, ±

SIZE A4

PPOJECTION



ORDER INFORMATION

Q205-FV-xx-LF
SERIES | LEADFREE
20:2.0 d1Ø
40:4.0 d1Ø
PVC
FEMALE

煜倫股份有限公司

www.morethanall.com

DESCRIPTION: