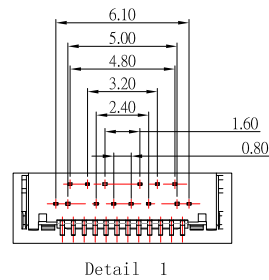
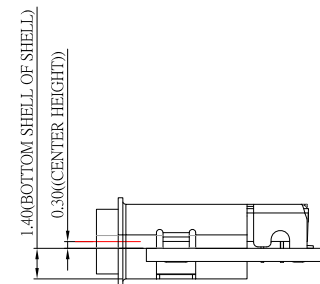


SECTION A-A



Detail 1



### SPECIFICATIONS

#### Electrical:

1. Rating: 5.0A(VBUS&GND),0.25A(Other Pin)
- 2.Contact Resistance: 40 mΩ Max
- 3.Insulation Resistance: 100 MΩ Min
- 4.Dielectric Withstanding Voltage: 100V AC

#### Mechanical:

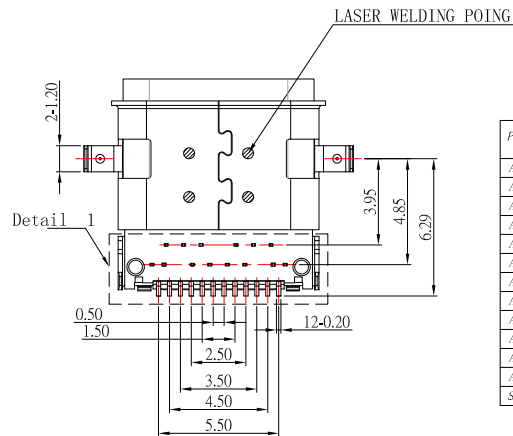
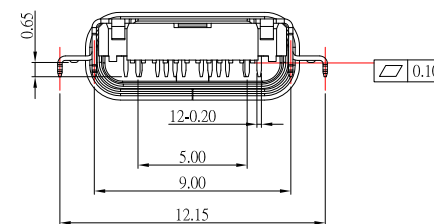
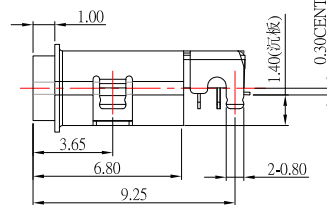
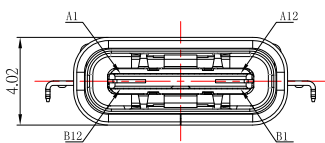
- 1.Connector Mate and Unmate Force
  - 1.1 Mate force: 5~20 N
  - 1.2 Unmate force: 8~20 N

#### Material:

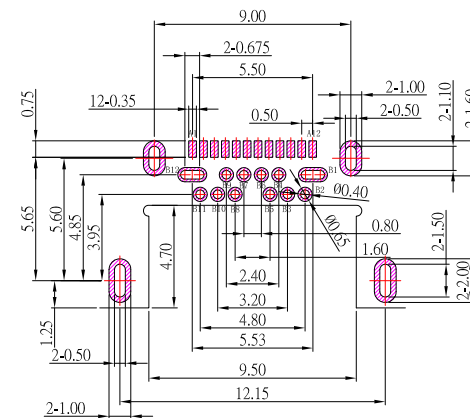
- 1.Housing: LCP,UL 94V-0
- 2.Contact: Copper Alloy
- 3.Shell: SUS
- 4.Glue Water: Epoxy

#### Finish:

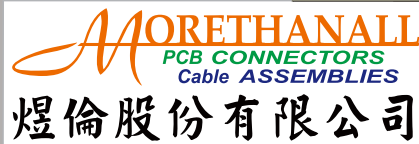
- 1.Contact: Plated Gold in Mating Area ;  
Gold Plated on Solder Balls ;  
Nickel under plated overall
- 2.Shell: Nickel under Plated surface layer



Pin	Signal Name	Mating Sequence	Pin	Signal Name	Mating Sequence
A1	GND	First	B12	GND	First
A2	SSTXp1	Second	B11	SSRXp1	Second
A3	SSTXn1	Second	B10	SSRXn1	Second
A4	V <sub>bus</sub>	First	B9	V <sub>bus</sub>	First
A5	CC1	Second	B8	SBU2	Second
A6	Dp1	Second	B7	Dn2	Second
A7	Dn1	Second	B6	Dp2	Second
A8	SBU1	Second	B5	CC2	Second
A9	V <sub>bus</sub>	First	B4	V <sub>bus</sub>	First
A10	SSRXn2	Second	B3	SSTXn2	Second
A11	SSRXp2	Second	B2	SSTXp2	Second
A12	GND	First	B1	GND	First
SHELL	GND		SHELL	GND	



P.C.B LAYOUT MOUNTING PATTERN



www.morethanall.com

RoHS Compliant

DRAWING BY CY

CHECKED BY GENIUS

UNIT / mm SCALE 1 : 1

DATE

SIZE A4

TOLERANCES ARE

Up to 5 ±0.2  
Above 5 ~ 15 ±0.3  
Above 15 ~ 30 ±0.4  
Above 30 ~ 50 ±0.5  
Angle ±0.3°

PJECTION



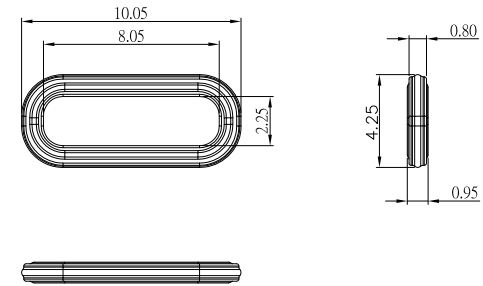
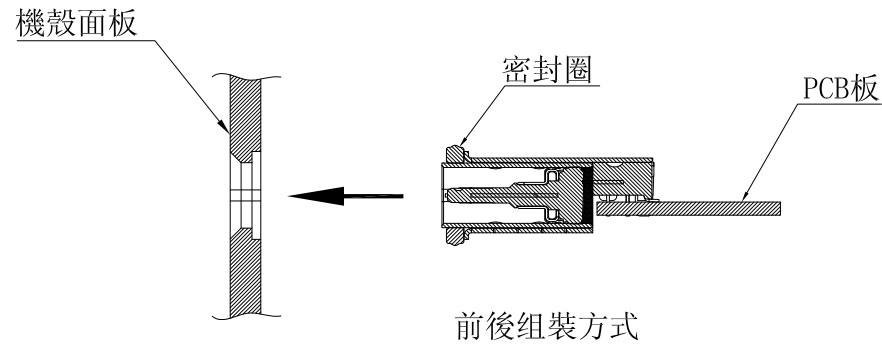
### ORDER INFORMATION

WPUB-SRWFMM-24C-LF

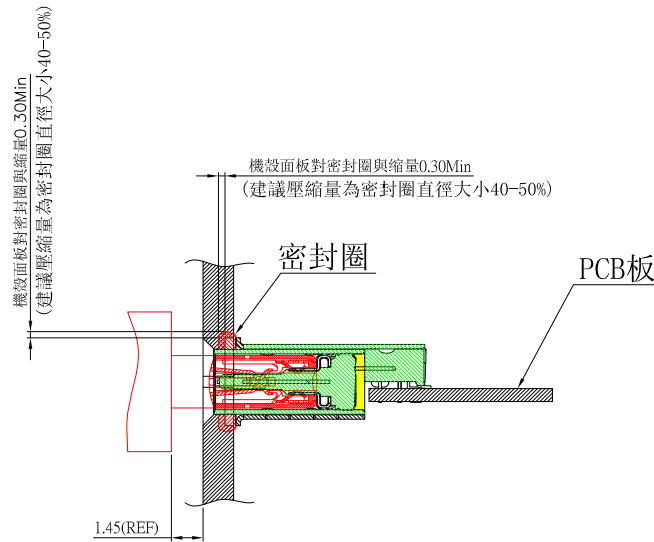
SERIES | LEADFREE  
24 PIN C TYPE  
FEMALE | METAL FOOT  
90°SMT  
DIP 90°

DESCRIPTION: USB 3.1 TYPE C 沉板式防水型 IP67

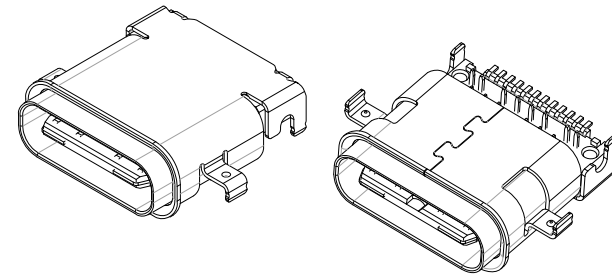
# 建議密封方式



建議防水圈規格



組裝面板後公母頭對插示意圖



RoHS Compliant

TOLERANCES ARE

**MORETHANALL**  
PCB CONNECTORS  
Cable ASSEMBLIES  
煜倫股份有限公司

DRAWING BY CY

CHECKED BY GENIUS

UNIT / mm

SCALE 1 : 1

DATE

SIZE A4

PPOJECTION

Up to 5 ±0.2  
Above 5 ~ 15 ±0.3  
Above 15 ~ 30 ±0.4  
Above 30 ~ 50 ±0.5  
Angle ±0.3°



ORDER INFORMATION

WPUB-SRWFMM-24C-LF

SERIES | LEADFREE  
24 PIN C TYPE  
METAL FOOT  
FEMALE | OFFSET  
DIP 90° | NON POST  
90°SMT

DESCRIPTION: USB 3.1 TYPE C 沉板式防水型 IP67

www.morethanall.com