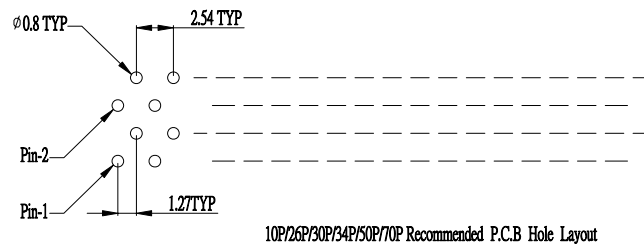
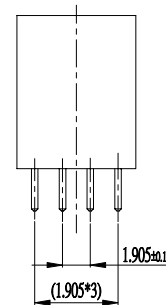
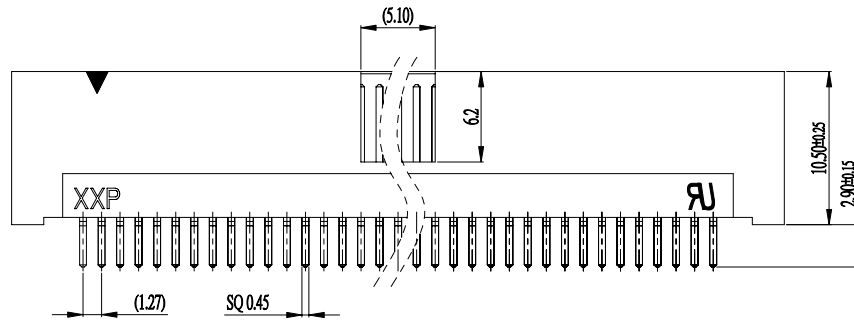


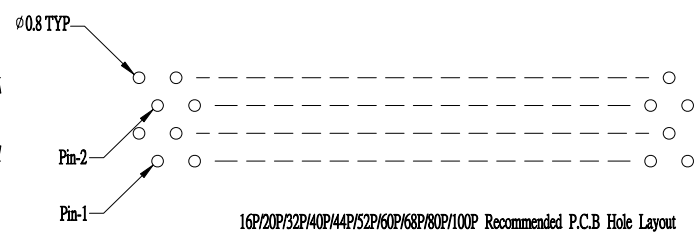
Material :
 Insulator : PA-6T (UL94V-0);
 Contact : Phosphor Bronze or Brass;
 Contact Plated : Gold or Tin over Nickel.
 Electrical Characteristics:
 Current Rating : 1 Amp;
 Withstanding Voltage : AC 500V r.m.s. ;
 Insulation Resistance : 1000 Megohms Minimum at DC 500V;
 Operating Temperature : -44 °C~105 °C.

備注:

- 1."*"標記為重點檢驗尺寸;加括號尺寸為參考尺;
- 2.未標示公差之尺寸參考公差表;
- 3.所有成品插板針腳100%過孔規。



單數pin



雙數pin

No. of contacts	Dimension		
	DIM.A	DIM.B	DIM.C
10 Pin	5.08	12.65	14.85
16 Pin	8.89	16.46	18.66
20 Pin	11.43	19.00	21.20
26 Pin	15.24	22.81	25.01
30 Pin	17.78	25.35	27.55
32 Pin	19.05	26.62	28.82
34 Pin	20.32	27.89	30.09
40 Pin	24.13	31.70	33.90
44 Pin	26.67	34.24	36.44
50 Pin	30.48	38.05	40.25
52 Pin	31.75	39.32	41.52
60 Pin	36.83	44.40	46.60
68 Pin	41.91	49.48	51.68
70 Pin	43.18	50.75	52.95
80 Pin	49.53	57.10	59.30
100 Pin	62.23	69.80	72.00

RoHS Compliant

TOLERANCES ARE

MORETHANALL
 PCB CONNECTORS
 Cable ASSEMBLIES

DRAWING BY CY

X, ±

CHECKED BY GENIUS

.X ±

UNIT / mm

SCALE 1 : 1

.XX ±

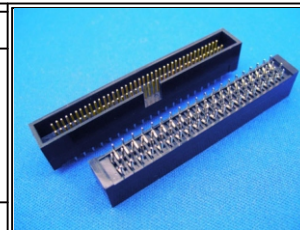
DATE

.XXX ±

SIZE A4

PJECTION

ANG ±



ORDER INFORMATION

HB-D4-xxx-LF
 SERIES | LEADFREE
 010~100 WAY
 4 ROW
 DIP 180°

煜倫股份有限公司

www.morethanall.com

DESCRIPTION: