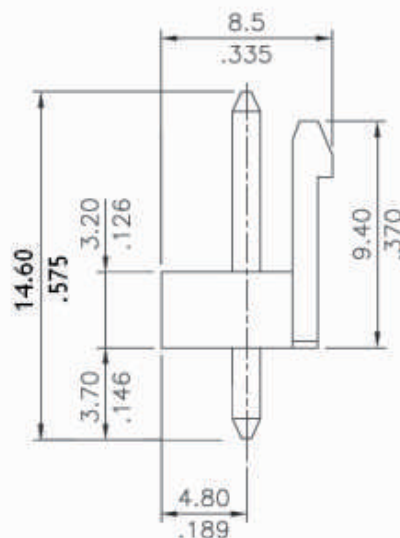
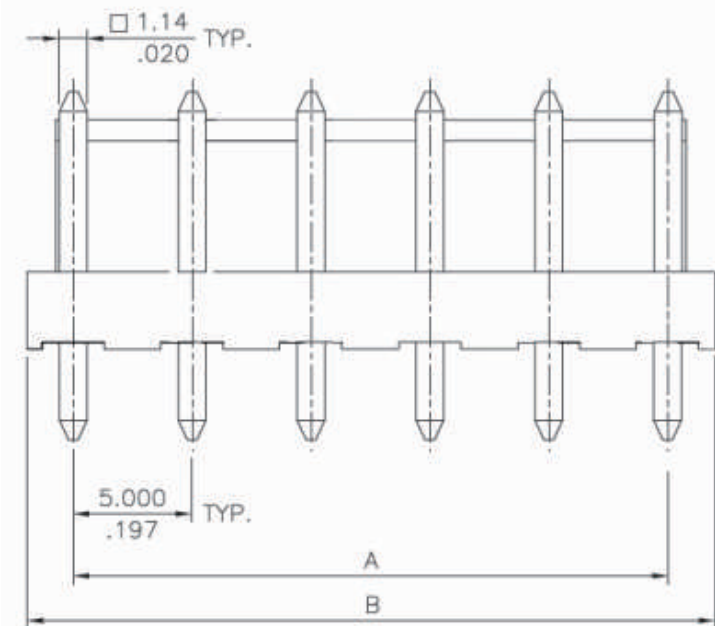




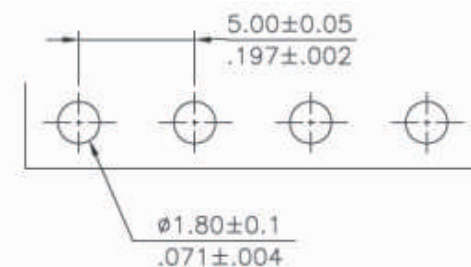
Material:

- \* Insulation: Nylon 66 UL 94V-0  
Color Nature
- \* Contact: Brass

- ◎ Rated Current and Voltage : 7A , 250V AC(r.m.s)
- ◎ Dielectric Withstanding Voltage : 1500V AC for one minute
- ◎ Contact Resistance : 20mΩ
- ◎ Insulation Resistance : 1000MΩ
- ◎ Operating Temperature : -55°C~85°C



Circuits	Dimension	
	A	B
2	5.00(.197)	9.9(.390)
3	10.00(.394)	14.9(.587)
4	15.00(.591)	19.9(.783)
5	20.00(.787)	24.9(.980)
6	25.00(.984)	29.9(1.177)
7	30.00(1.181)	34.9(1.374)
8	35.00(1.378)	39.9(1.571)
9	40.00(1.575)	44.9(1.768)
10	45.00(1.772)	49.9(1.965)
11	50.00(1.969)	54.9(2.161)
12	55.00(2.165)	59.9(2.358)



Recommended P.C. Board Layout

RoHS Compliant

TOLERANCES ARE

**MORETHANALL**  
PCB CONNECTORS  
Cable ASSEMBLIES

煜倫股份有限公司

www.morethanall.com

DRAWING BY CY

CHECKED BY GENIUS

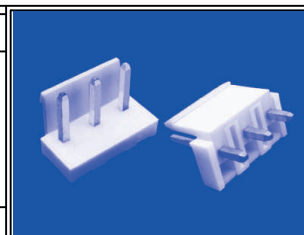
UNIT/mm SCALE 1:1

DATE

SIZE A4

X.±  
.X±  
.XX±  
.XXX±  
ANG±

PJECTION



ORDER INFORMATION

NV-D-xx-LF  
SERIES | LEADFREE  
02~12WAY  
DIP 180°

DESCRIPTION: