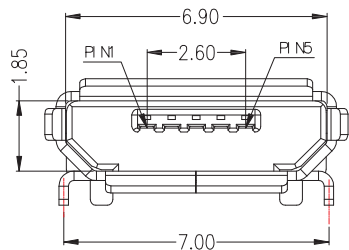
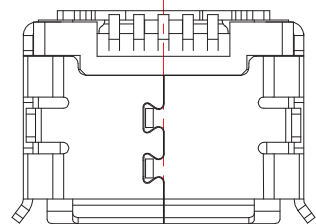
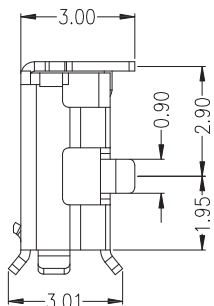
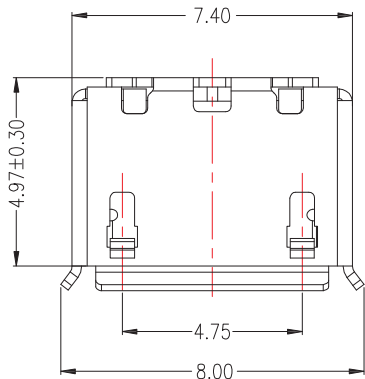
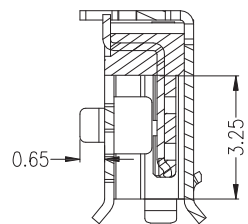


P.C.B LAYOUT MOUNTING PATTERN



NOTES:

- 1.MATERIAL:
  - 1.1 HOUSING: LCP,UL94V-0
  - 1.2 CONTACT: PHOSPHOR BRONZE
  - 1.3 SHELL: SUS
- 2.Finish:
  - 2.1 Contact: Plated Gold in Mating Area ;  
Gold Plated on Solder Balls ;  
Nickel under plated overall
  - 2.2 SHELL: NICKEL or TIN UNDER PLATED SURFACE LAYER

3.SPECIFICATION:

- 3.1 CURRENT RATING: 1.8 A Max(PIN1,5)  
1.0 A Max(PIN2,3,4)
- 3.2 DIELECTRIC WITHSTANDING VOLTAGE: 100 V(ac) FOR 1min
- 3.3 CONTACT RESISTANCE: 30 mΩ MAX.
- 3.4 INSULATION RESISTANCE: 100 MΩ MIN.
- 3.5 TOTAL MATING FORCE: 3.57 Kgf MAX.
- 3.6 TOTAL UNMATING FORCE: 1.0 Kgf MIN.
- 3.7 TEMPERATURE RANGE: -30°C ~ +80°C

RoHS Compliant

TOLERANCES ARE

**MORETHANALL**  
PCB CONNECTORS  
Cable ASSEMBLIES

煜倫股份有限公司

www.morethanall.com

DRAWING BY CY

CHECKED BY GENIUS

UNIT / mm

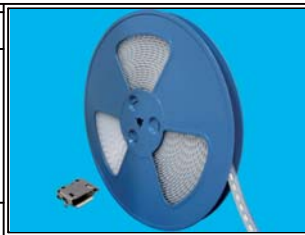
SCALE 1 : 1

DATE

SIZE A4

PPOJECTION

Up to 5	±0.2
Above 5 ~ 15	±0.3
Above 15 ~ 30	±0.4
Above 30 ~ 50	±0.5
Angle	±0.3°



ORDER INFORMATION

MISB-SWMM7050R-5B-LF

SERIES

LEADFREE

5 PIN B TYPE

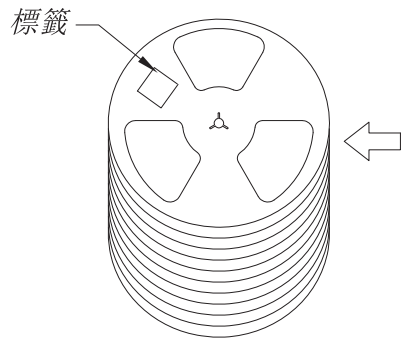
REEL

METAL FOOT 7.0mm+5.0mm

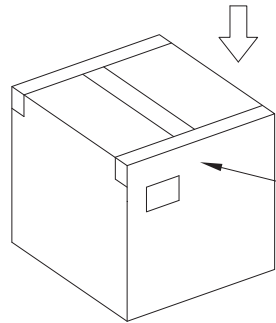
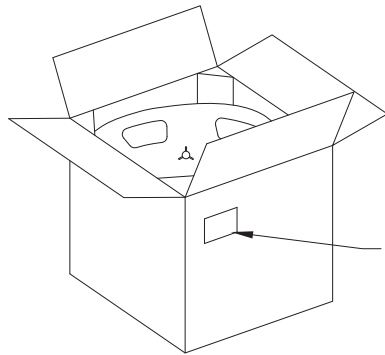
90°SMT

FEMALE

DESCRIPTION: MICRO USB 5P SMT 牛角型後蓋 PH:7.0-5.0mm

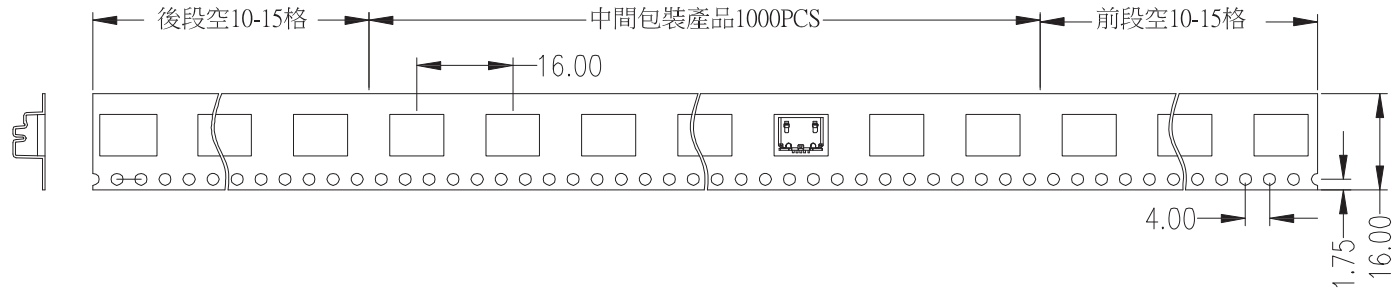


10盤 ↓

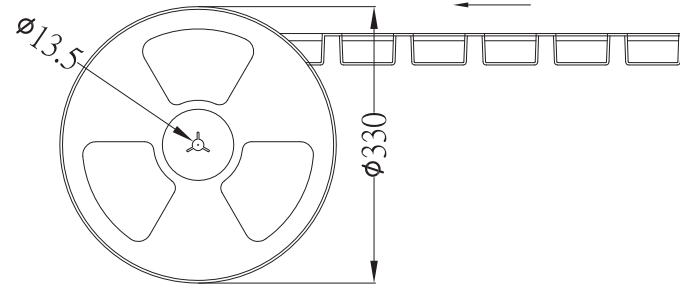


透明膠封箱

10K/箱 紙箱規格: 360\*360\*220mm



收料方向



1K/盤

1. 每盤前後各空10-15個空格, 中間包裝1000PCS.
2. 每箱包裝10盤, 共包裝10,000PCS.

RoHS Compliant

TOLERANCES ARE

**MORETHANALL**  
PCB CONNECTORS  
Cable ASSEMBLIES

DRAWING BY CY

CHECKED BY GENIUS

UNIT / mm

SCALE 1:1

DATE

SIZE A4

PPOJECTION

Up to 5 ±0.2  
Above 5 ~ 15 ±0.3  
Above 15 ~ 30 ±0.4  
Above 30 ~ 50 ±0.5  
Angle ±0.3°



ORDER INFORMATION

MISB-SWMM7050R-5B-LF

SERIES

|

|

|

|

|

|

LEADFREE  
5 PIN B TYPE  
REEL  
METAL FOOT 7.0mm+5.0mm  
90°SMT  
FEMALE

煜倫股份有限公司

www.morethanall.com

DESCRIPTION: MICRO USB 5P SMT 牛角型後蓋 PH:7.0-5.0mm