

Technical Data:

Material:

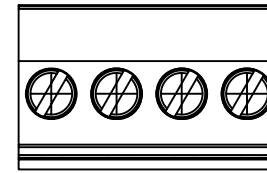
- ⚠ Contact(metal housing): Brass Machined(Optional)
- ⦿ Terminal screw: Steel Galvanized and chromated or Nickel plated or Tin plated(standard)(option)
- ⦿ Wire guard: PhBZ, Tin plated.
- ⦿ Insulator body(housing): Polyamide(Glass filled)(UL94V-0)

Electrical

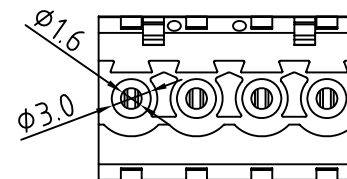
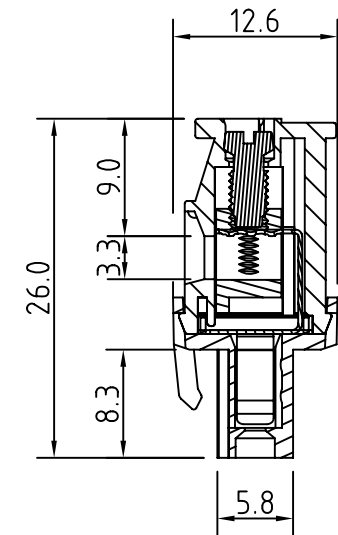
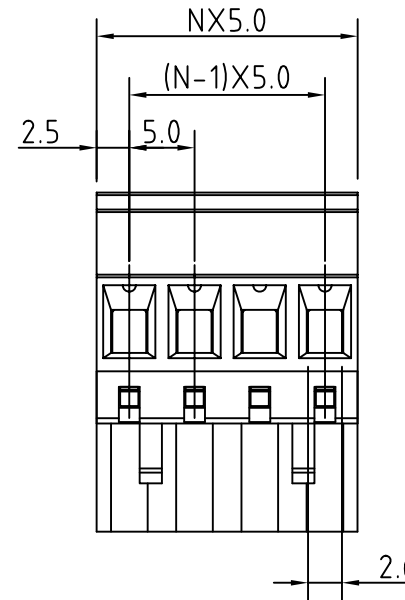
- ⚠ ⦿ Voltage rating: 300VAC
- ⚠ ⦿ Current rating: 10 Amps/way max
- ⦿ Contact resistance: 20mΩ(max)
- ⦿ Insulation resistance: 5000MΩ/1000V
- ⦿ Withstanding Voltage: 1500VAC(1min) Test time=60sec/1pcs
- ⦿ Wire range: 12-24AWG

Mechanical:

- ⦿ Torque: 4kgf.cm/M3
- ⦿ Operating temperature: -33°C to +120°C
- ⦿ Soldering temperature= 250°C/5 seconds max



N=Number of contacts



RoHS Compliant

TOLERANCES ARE

MORETHANALL
PCB CONNECTORS
Cable ASSEMBLIES

煜倫股份有限公司

www.morethanall.com

DRAWING BY CY

CHECKED BY GENIUS

UNIT / mm

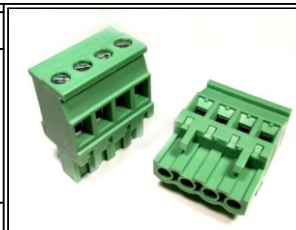
SCALE 1 : 1

DATE

SIZE A4

PPOJECTION

X, ±
.X ± 0.30
.XX ± 0.10
.XXX ±
ANG ±



ORDER INFORMATION

TBH050-SVA-xx-LF

SERIES | LEADFREE
| 02-24WAY
| UPPER SIDE
| SCREW 180°
| FEMALE

DESCRIPTION: