

Specification
 1.Current Rating:0.5A AC/DC
 2.Voltage Rating:30V AC/DC
 3.Contact Resistance:20mΩ Max.
 4.Insulation Resistance:100MΩ Min.
 5.Withstand Voltage:AC200V/Minute
 6.Operating Temperature:-25°C~+85°C
 Material:
 1.Housing:Thermoplastic UL94V-0
 2.Contact Pin:Copper Alloy T=0.15
 3.Tab:Copper Alloy T=0.2
 Finish:
 1.Housing:Natural
 2.Contact Pin:Gold Plated
 3.Tab:Gold Plated

PIN	DIM.A	DIM.B	DIM.C	DIM.D	PIN	DIM.A	DIM.B	DIM.C	DIM.D
02	0.80	1.90	3.78	3.04	06	4.00	5.10	6.98	6.24
03	1.60	2.70	4.58	3.84	07	4.80	5.90	7.78	7.04
04	2.40	3.50	5.38	4.64	08	5.60	6.70	8.58	7.84
05	3.20	4.30	6.18	5.44					

RoHS Compliant

TOLERANCES ARE

MORETHANALL
 PCB CONNECTORS
 Cable ASSEMBLIES

煜倫股份有限公司

www.morethanall.com

DRAWING BY CY

CHECKED BY GENIUS

UNIT / mm

SCALE 1 : 1

DATE

SIZE A4

PJECTION

X. ±
 .X ± 0.35
 .XX ± 0.25
 .XXX ± 0.15
 ANG ±

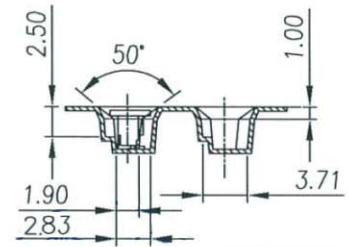
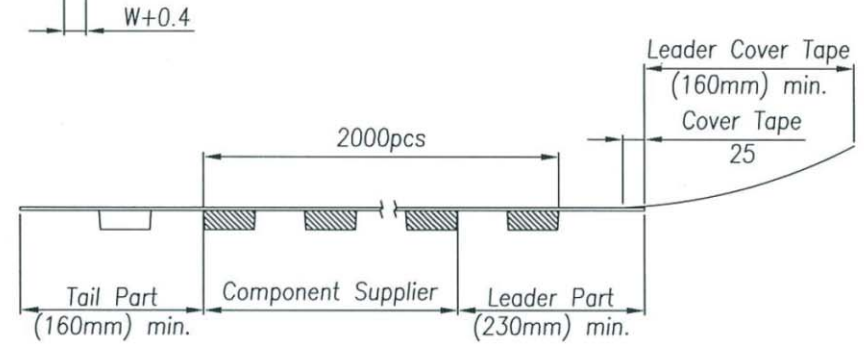
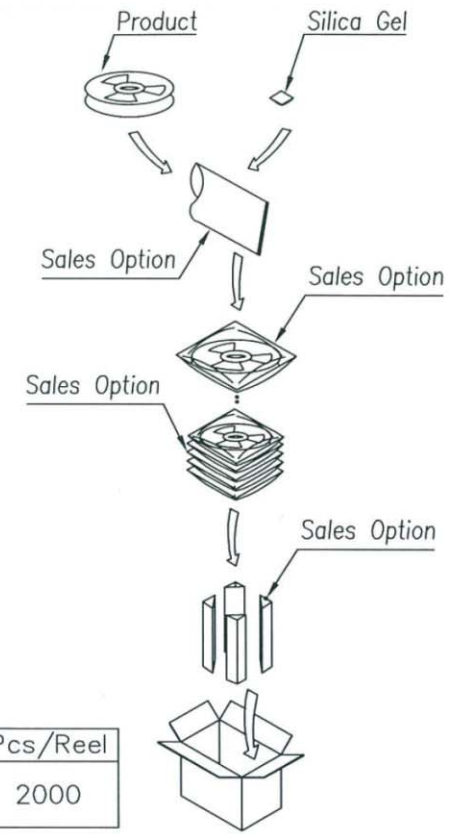
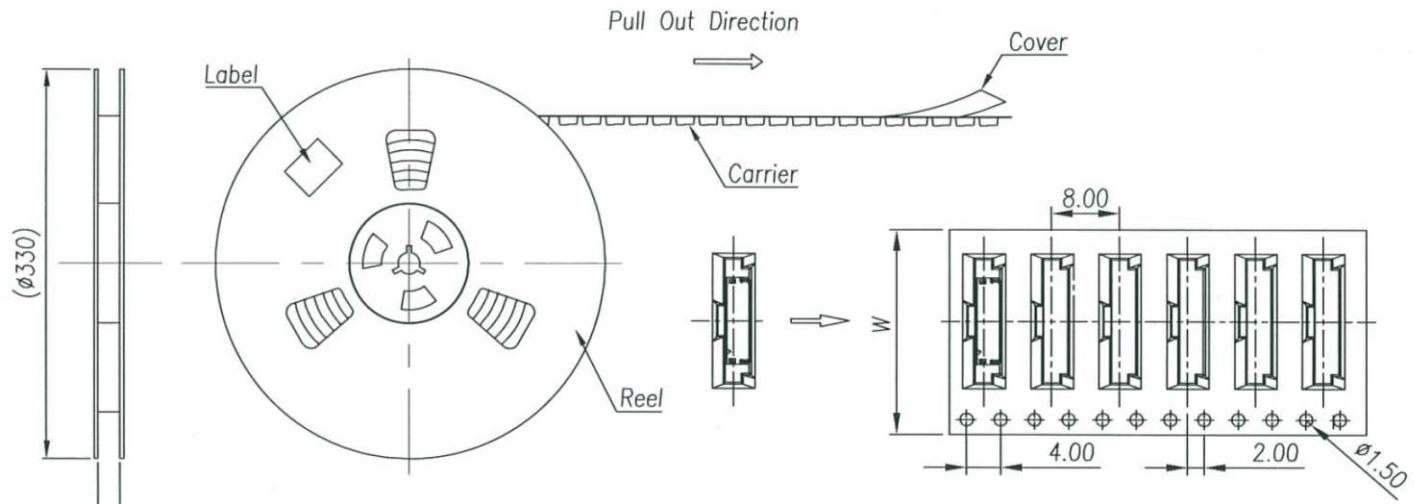


ORDER INFORMATION

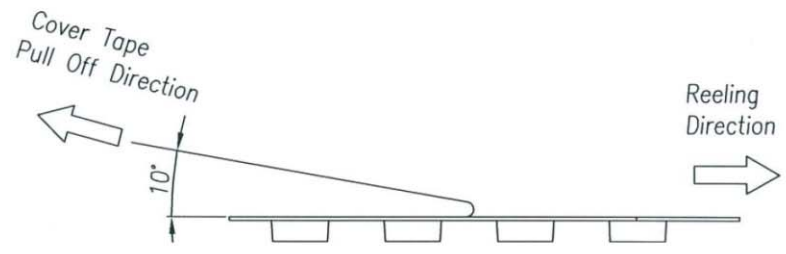
SUR-VCR-xx-LF

SERIES | | | LEADFREE
 | | | 02-08 WAY
 | REEL
 | CAP
 | 180°SMT

DESCRIPTION:



No Of Pin	W	Pcs/Reel
2~7	16	2000
8~17	24	



R

RoHS Compliant

TOLERANCES ARE

MORETHANALL
PCB CONNECTORS
Cable ASSEMBLIES

DRAWING BY CY
CHECKED BY GENIUS
UNIT / mm SCALE 1 : 1
DATE
SIZE A4 PROJECTION

X. ±
.X ± 0.35
.XX ± 0.25
.XXX ± 0.15
ANG ±



ORDER INFORMATION

SUR-VCR-xx-LF
SERIES | LEADFREE
| 02~08 WAY
| REEL
| CAP
| 180°SMT

煜倫股份有限公司

www.morethanall.com

DESCRIPTION: