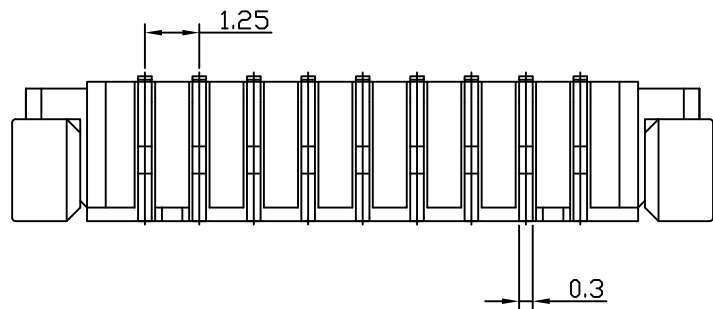
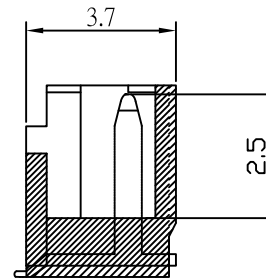
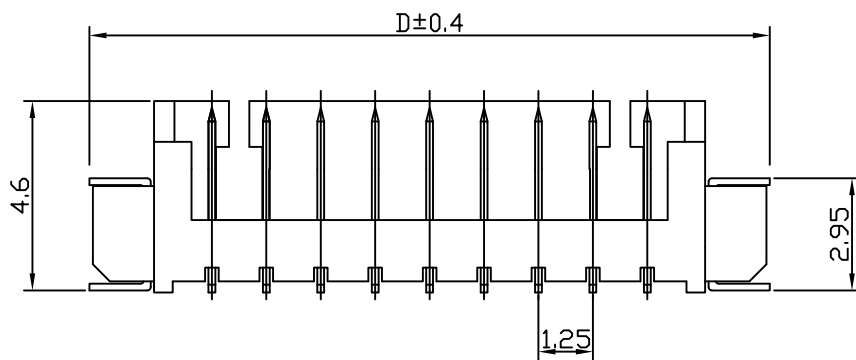


CKT.	A	B	C	D
2	1.25	3.05	4.25	7.65
3	2.50	4.30	5.50	8.90
4	3.75	5.55	6.75	10.15
5	5.00	6.80	8.00	11.40
6	6.25	8.05	9.25	12.65
7	7.50	9.30	10.50	13.90
8	8.75	10.55	11.75	15.15
9	10.00	11.80	13.00	16.40
10	11.25	13.05	14.25	17.65
11	12.50	14.30	15.50	18.90
12	13.75	15.55	16.75	20.15
13	15.00	16.80	18.00	21.40
14	16.25	18.05	19.25	22.65
15	17.50	19.30	20.50	23.90



MATERIAL:

WAFER:HIGH TEMPERA TURE PLASTIC
 HTN6T UL94V-0 Natural H/F
 Contact Pin:Phosphor Bronze,Tin Plated Over Nickel
 Tab:Brass,Tin plated Over Nickel

SPECIFICATION:

Current Rating: 1A AC, DC
 Voltage Rating: 125V AC,DC
 Operating Temp.: -40°C ~ +85°C
 Insulation Resistance: 100MΩ/ min.
 Dielectric Withstanding Voltage: 250V AC/ minute
 Contact Resistance: 20mΩ/ max.

RoHS Compliant

TOLERANCES ARE

MORETHANALL
 PCB CONNECTORS
 Cable ASSEMBLIES

DRAWING BY CY

CHECKED BY GENIUS

UNIT / mm

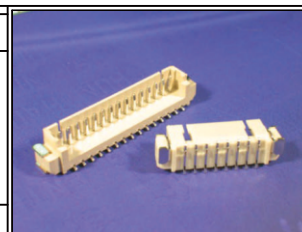
SCALE 1 : 1

DATE

SIZE A4

PPOJECTION

X, ±
 .X ± 0.25
 .XX ± 0.15
 .XXX ±
 ANG ±



ORDER INFORMATION

FH-V-xx-LF
 SERIES | LEADFREE
 02~15WAY
 180°SMT

煜倫股份有限公司

www.morethanall.com

DESCRIPTION: