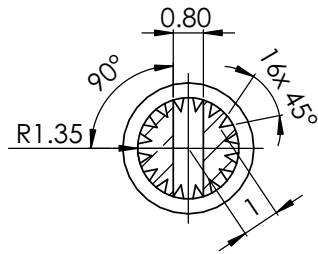
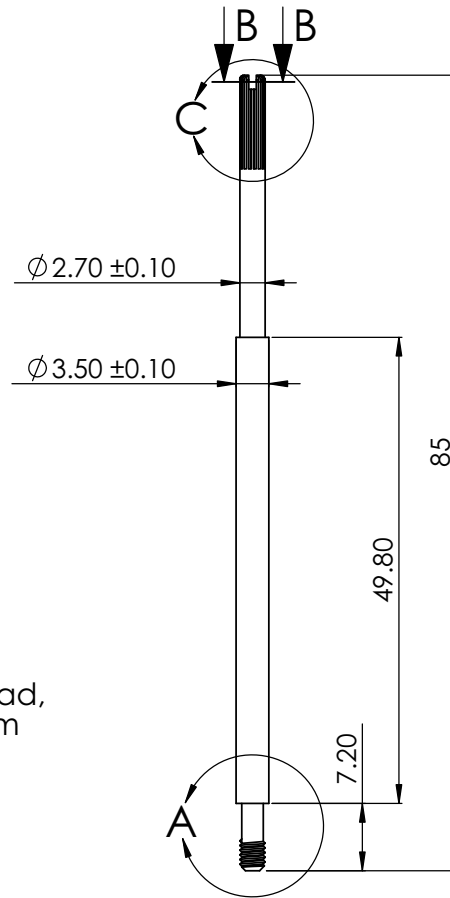
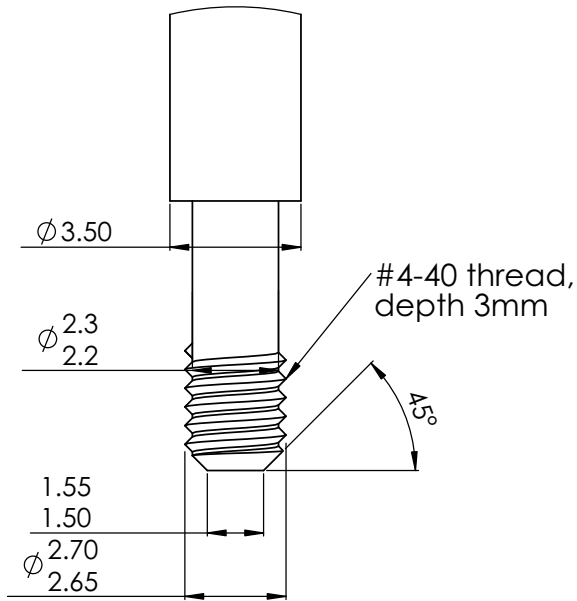


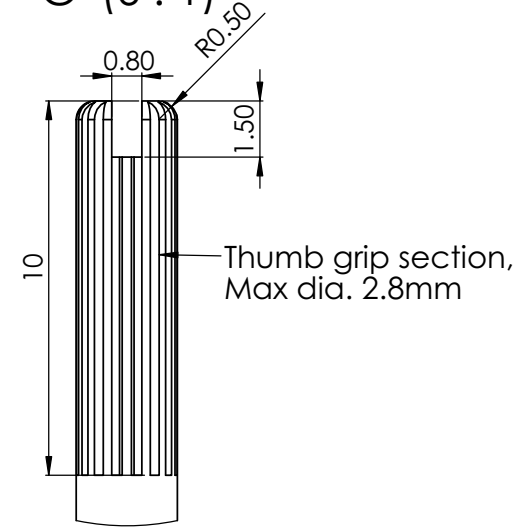
B-B (6:1)



A (6:1)



C (6:1)



2/27/2020
Add the grip section length

Dimensions: mm
Material: Stainless Steel type 316 (non-magnetic)

RoHS Compliant

TOLERANCES ARE

MORETHANALL
PCB CONNECTORS
Cable ASSEMBLIES

煜倫股份有限公司

www.morethanall.com

DRAWING BY CY

CHECKED BY GENIUS

UNIT/mm SCALE 1:1

DATE

SIZE A4

X. ±
.X ±
.XX ±
.XXX ±
ANG ±

PJECTION



ORDER INFORMATION

TS-85-D35A-LF
SERIES | LEADFREE
SLANT
OD: 3.5Ø
LONG 85mm

DESCRIPTION: