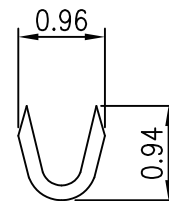
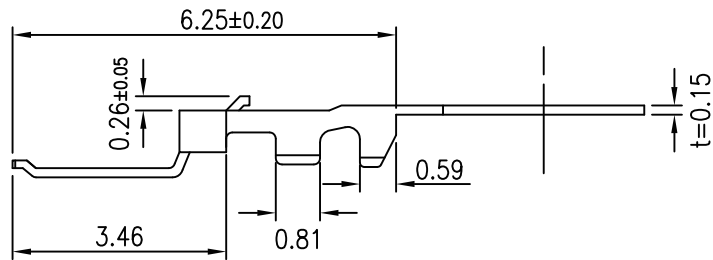


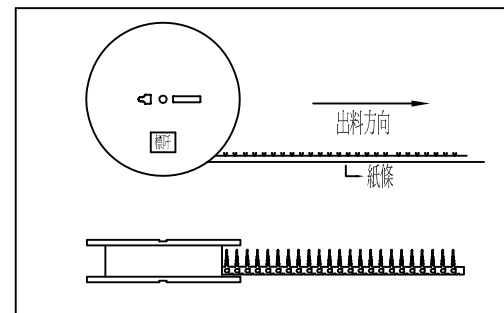
A-A SECTION



B-B SECTION

■ **TERMINAL**

- Material: Phos. bronze
- Thickness: 0.15mm
- Plating: Gold plated 4u"
- Wire Range: Suitable for AWG#30~36
- Insulation .ID: $\phi 0.75 \sim 0.27\text{mm}$ (max)
- Q'TY: 15,000 pcs/reel



RoHS Compliant

TOLERANCES ARE

MORETHANALL
PCB CONNECTORS
Cable ASSEMBLIES

煜倫股份有限公司

www.morethanall.com

DRAWING BY CY

CHECKED BY GENIUS

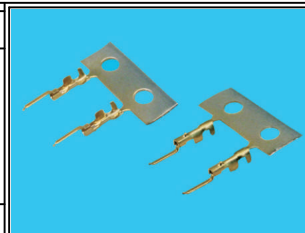
UNIT/mm SCALE 1:1

DATE

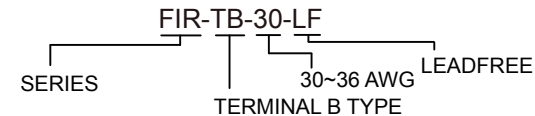
SIZE A4

X. ±
.X ±
.XX ±
.XXX ±
ANG ±

PJECTION



ORDER INFORMATION



DESCRIPTION: MINI-CRIMP 0.5mm TERMINAL