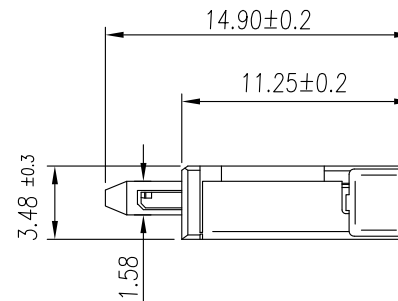


( OVERSIDE VIEW NON SCALE )

### ■ HOUSING

- Material:  
Housing : Nylon 46, UL94-V0
- Pitch: 0.5mm (.020")
- Lock spring: Stainless steel
- Shell: Stainless steel



CIRCUITS	PART NO.	DIMENSION		
		A	B	C
21	FIR-H-21	10.00	21.30	24.15
31	FIR-H-31	15.00	26.30	29.15
41	FIR-H-41	20.00	31.30	35.15
51	FIR-H-51	25.00	36.30	40.15

**RoHS Compliant**

TOLERANCES ARE

**MORETHANALL**  
PCB CONNECTORS  
Cable ASSEMBLIES

DRAWING BY CY

X.±

CHECKED BY GENIUS

.X±

UNIT / mm

SCALE 1 : 1

.XX±

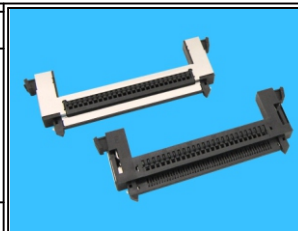
DATE

.XXX±

ANG±

SIZE A4

PPOJECTION



**ORDER INFORMATION**

FIR-H-xx-LF  
SERIES | LEADFREE  
21~51WAY  
HOUSING

**煜倫股份有限公司**

www.morethanall.com

DESCRIPTION: