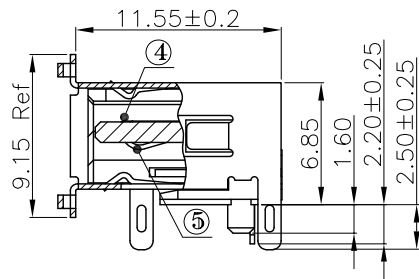
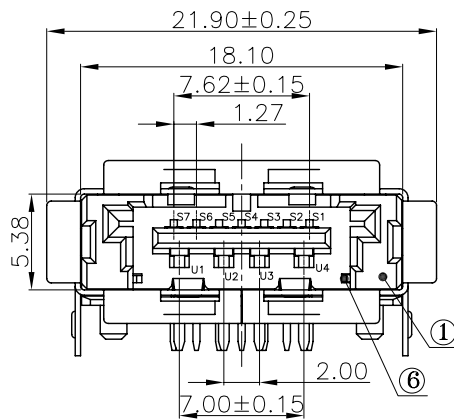


REFERENCE PC BOARD LAYOUT  
TOP VIEW (TOL=±0.05)

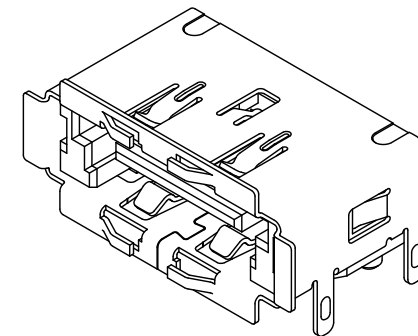
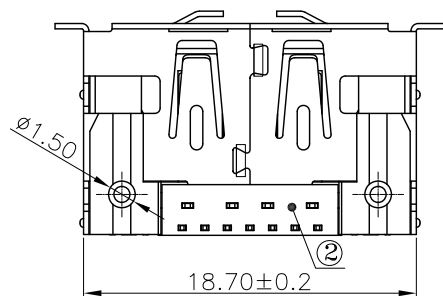
|     |                |                |       |                 |             |
|-----|----------------|----------------|-------|-----------------|-------------|
| 6   | Latch          | SUS            |       |                 | 5S080602-01 |
| 5   | USB Terminal   | Brass C2680R-H |       | Gold/Tin Plated | 3U080604-01 |
| 4   | eSATA Terminal | Brass C2680R-H |       | Gold/Tin Plated | 3S080604-01 |
| 3   | Shell          | Brass C2680R-H |       | NI Plated       | 4S080604-01 |
| 2   | Cover          | LCP            | Black | UL 94V-0        | 2S080607-01 |
| 1   | Housing        | LCP            | Black | UL 94V-0        | 2S080604-01 |
| NO. | DESCRIPTION    | MATERIAL       | COLOR | REMARK          | DWG NO.     |



PIN DEFINITION

| USB  |      |
|------|------|
| NAME | TYPE |
| U1   | VBUS |
| U2   | D-   |
| U3   | D+   |
| U4   | GND  |

| eSATA |      |
|-------|------|
| NAME  | TYPE |
| S1    | GND  |
| S2    | A+   |
| S3    | A-   |
| S4    | GND  |
| S5    | B-   |
| S6    | B+   |
| S7    | GND  |



RoHS Compliant

TOLERANCES ARE

**MORETHANALL**  
PCB CONNECTORS  
Cable ASSEMBLIES

DRAWING BY CY

X.±

CHECKED BY GENIUS

.X±

UNIT / mm

SCALE 1 : 1

.XX±

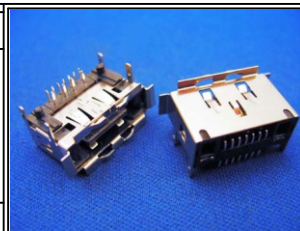
DATE

.XXX±

ANG±

SIZE A4

PJECTION



ORDER INFORMATION

ESATAP-PRMMP-074A-LF

SERIES

LEADFREE

7 PIN TO 4 PIN A TYPE

MALE

POST METAL FOOT

DIP 90°

煜倫股份有限公司

www.morethanall.com

DESCRIPTION: