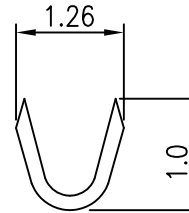
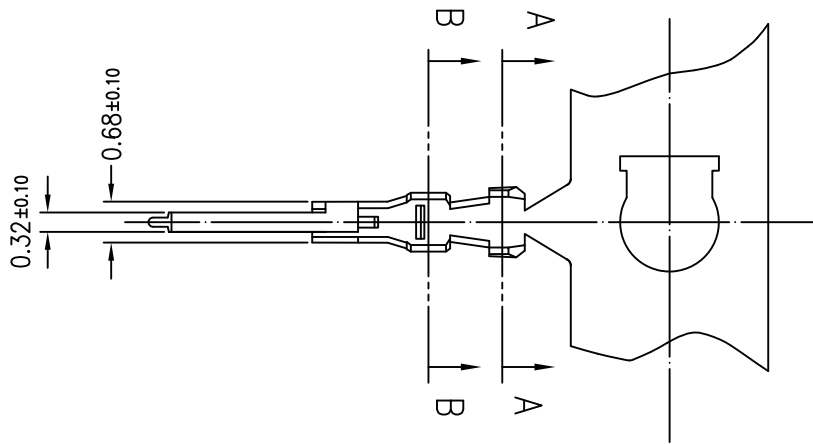
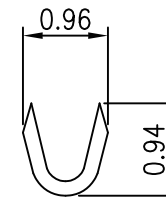
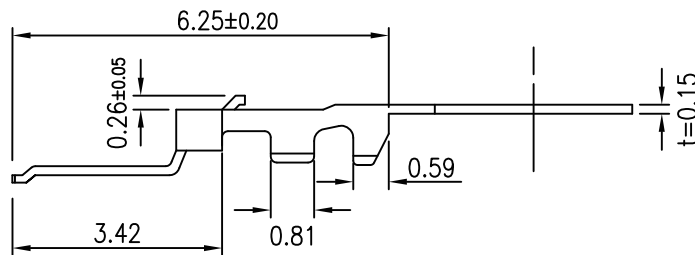


■ **TERMINAL**

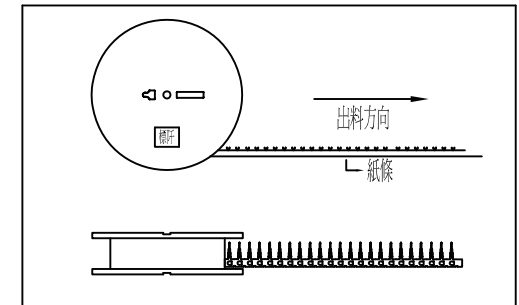
- Material: Phos. bronze
- Thickness: 0.15mm
- Plating: Gold plated 4u"
- Wire Range: Suitable for AWG#30~36
- Insulation .D:  $\phi 0.75\sim 0.27\text{mm}$  (max)
- Q'TY: 15,000 pcs/reel



A-A SECTION



B-B SECTION



RoHS Compliant

TOLERANCES ARE

**MORETHANALL**  
PCB CONNECTORS  
Cable ASSEMBLIES

煜倫股份有限公司

www.morethanall.com

DRAWING BY CY

CHECKED BY GENIUS

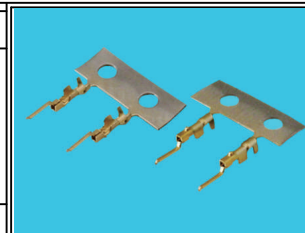
UNIT/mm SCALE 1:1

DATE

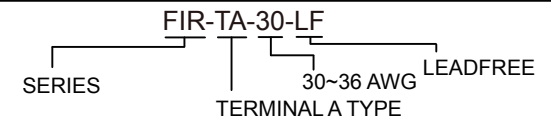
SIZE A4

PROJECTION

X. ±  
.X ±  
.XX ±  
.XXX ±  
ANG ±



ORDER INFORMATION



DESCRIPTION: MINI-CRIMP 0.5mm TERMINAL