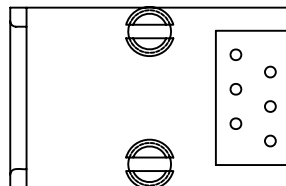
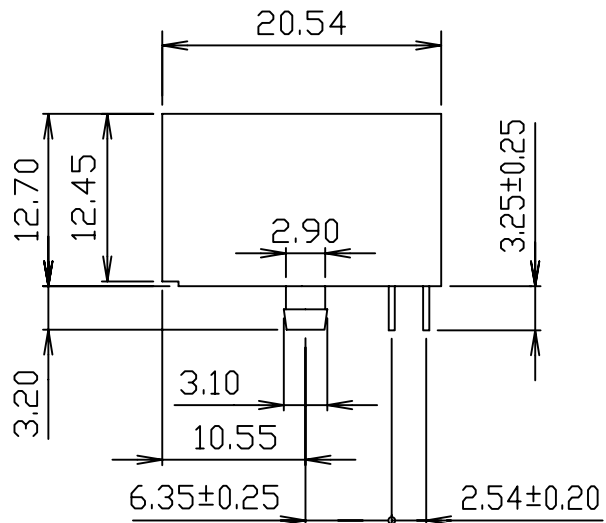


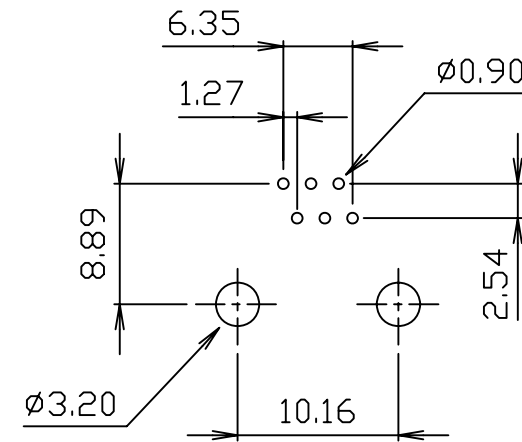
FLANGELESS



MATERIALS:

- HOUSING-PBT POLYESTER UL94V-0 MIXED GLASS FIBER, STANDARD COLOR-BLACK
- CONTACTS-0.45mm DIA. ROUND PHOS-BRONZE PLATED WITH HARD GOLD.

CAVITY CONFIRMS TO FCC RULES AND REGULATIONS PART 68,SUBPART F.



PC Board Layout

RoHS Compliant

TOLERANCES ARE

MORETHANALL
PCB CONNECTORS
Cable ASSEMBLIES

DRAWING BY CY

CHECKED BY GENIUS

UNIT / mm

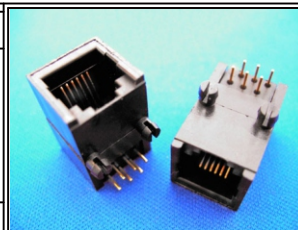
SCALE 1 : 1

DATE

SIZE A4

P PROJECTION

X, ±
.X ± 0.25
.XX ± 0.13
.XXX ± 0.05
ANG ±



ORDER INFORMATION

MJ12L-KX06-0606-LF
SERIES | | | | LEADFREE
| | | | 6P6C
| | | | 06u" GOLD
| | | | NON EAR
| | | | BLACK

DESCRIPTION: 6 POSITION SIDE ENTRY PCB JACK

煜倫股份有限公司

www.morethanall.com