

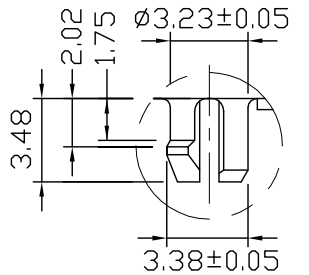
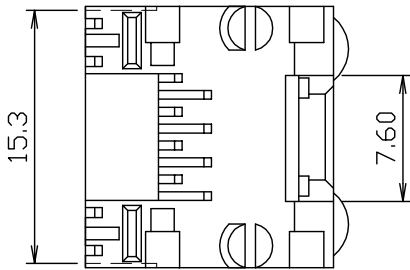
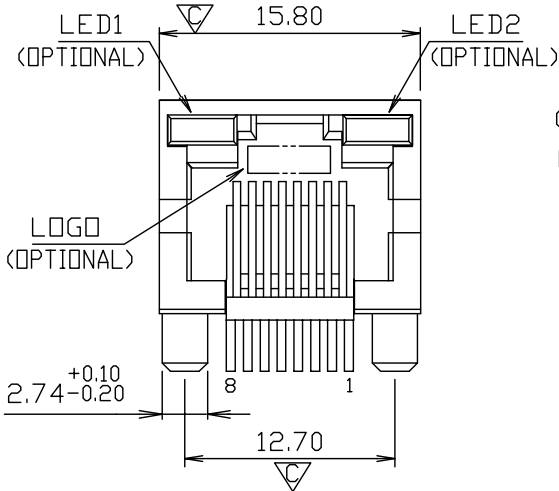
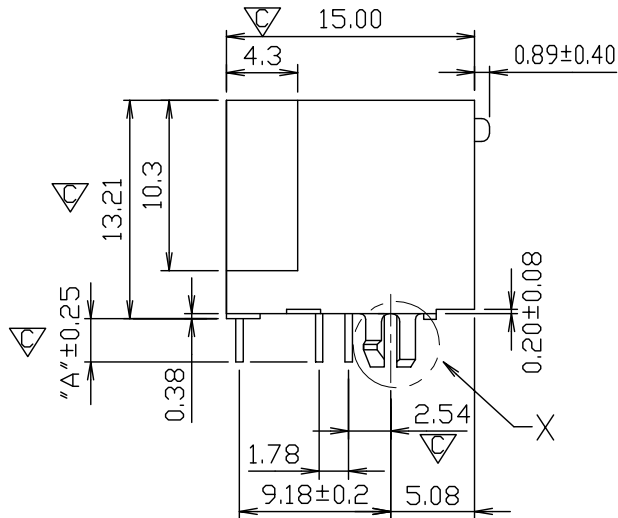
MATERIALS:

· HOUSING-DSM STANYL TE250F6 (NYLON-46)
HEAT DEFLECTION TEMP.290°
BLACK COLOR,UL94V-0

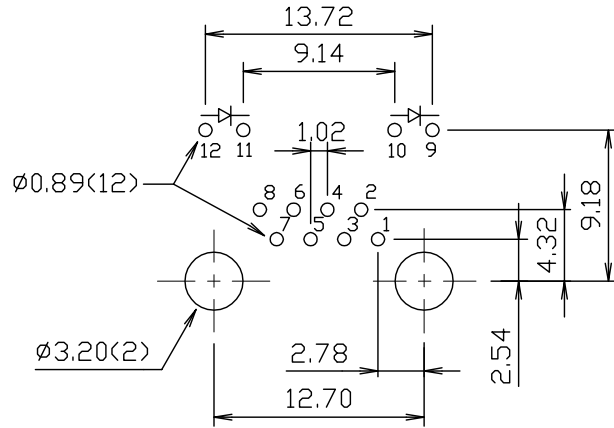
· CONTACTS-0.35mm THICK PHOS-BRONZE PLATED
WITH HARD GOLD AND GOLD FLASH IN
SOLDER AREA.

CAVITY CONFIRMS TO FCC RULES AND REGULATIONS
PART 68,SUBPART F.

"C" SHOWS QIP INSPECTION POINT.



DETAIL X



PCB LAYOUT Ref.

RoHS Compliant

TOLERANCES ARE



煜倫股份有限公司

www.morethanall.com

DRAWING BY CY

CHECKED BY GENIUS

UNIT/mm

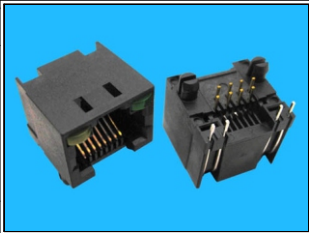
SCALE 1:1

DATE

SIZE A4

P PROJECTION

X.±
.X±
.XX±
.XXX±
ANG±



ORDER INFORMATION

MJ13UL-KX06xx-0808-LF

SERIES

06u" GOLD LEADFREE
NON EAR YG:YELLOW / GREEN
BLACK GY:GREEN / YELLOW
8P8C LED1 LED2

DESCRIPTION: RJ45, WITH LED'S FLAT PIN, SIDE ENTRY JACK