

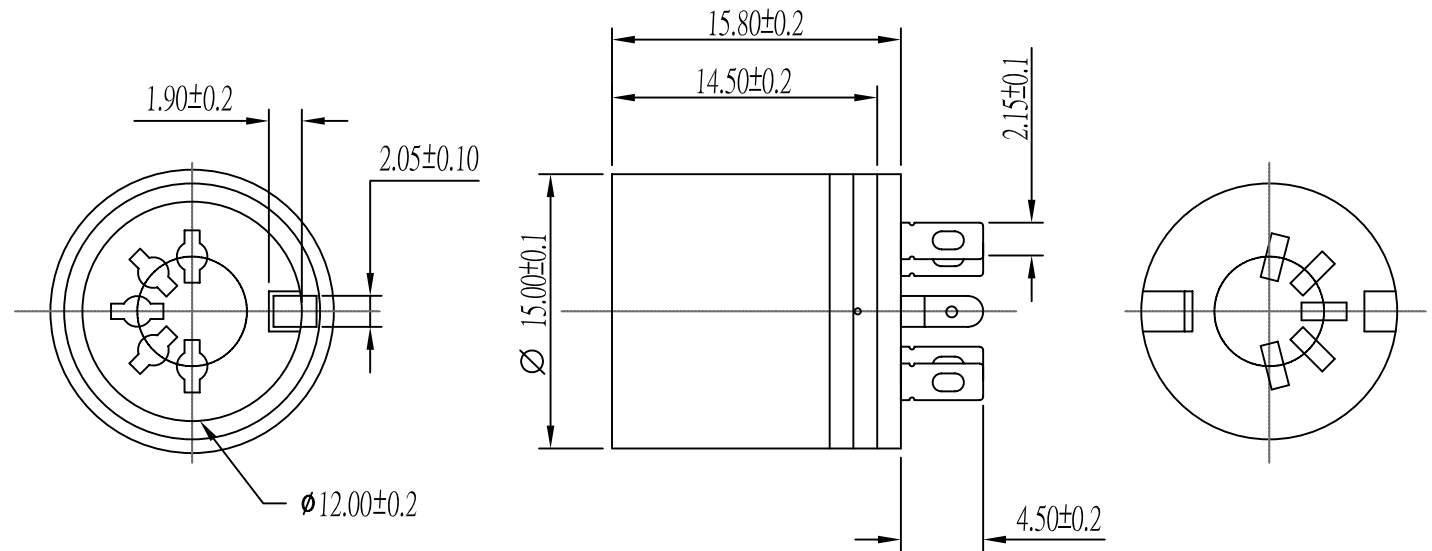
Note:

1.Material:

- 1.1 Insulator: High temperature thermoplastic with g.f,UL94v-0
- 1.2 Contact: Copper alloy,t=0.60mm
- 1.3 Shell: Spcc,t=0.40mm

2.Specification:

- 2.1 Current rating: 1 A Max.
- 2.2 Dielectric withstanding voltage: 750 V(ac) for 1 min.
- 2.3 Contact resistance: 30 mΩ Max.
- 2.4 Insulation resistance: 1000 MΩ Min.
- 2.5 Total mating force: 5.5 Kgf Max.
- 2.6 Total unmating force: 1.0 Kgf Min.
- 2.7 Temperature range: -55°C~85°C



NO.OF CONTACT	3(180°)	4(210°)	5(180°)	6(240°)	7(270°)	8(270°)
PART NO.	DM-S-03	DM-S-04	DM-S-05	DM-S-06	DM-S-07	DM-S-08
POSTTION						

RoHS Compliant

TOLERANCES ARE

**MORETHANALL**  
PCB CONNECTORS  
Cable ASSEMBLIES

DRAWING BY CY

CHECKED BY GENIUS

UNIT / mm

SCALE 1 : 1

DATE

SIZE A4

PPOJECTION

X, ±  
.X ± 0.30  
.XX ± 0.20  
.XXX ± 0.10  
ANG ±



ORDER INFORMATION

DM-S-xx-LF  
SERIES | LEADFREE  
03~08WAY  
FEMALE

煜倫股份有限公司

www.morethanall.com

DESCRIPTION: DIN SOLDER TYPE(F)