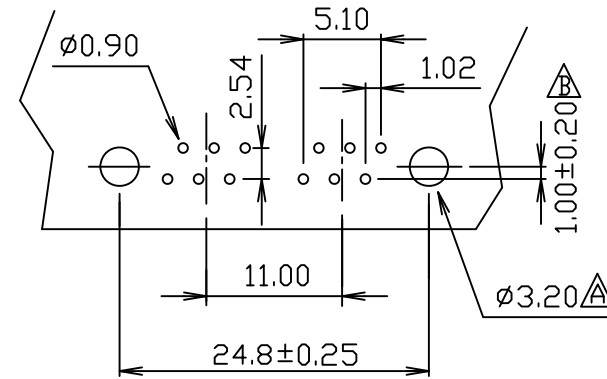
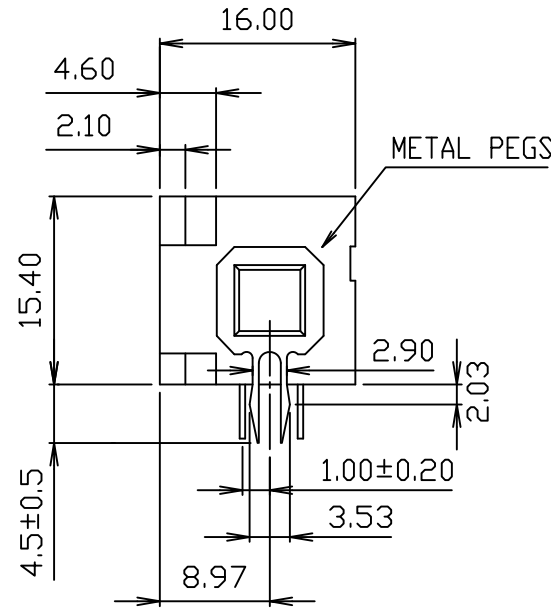
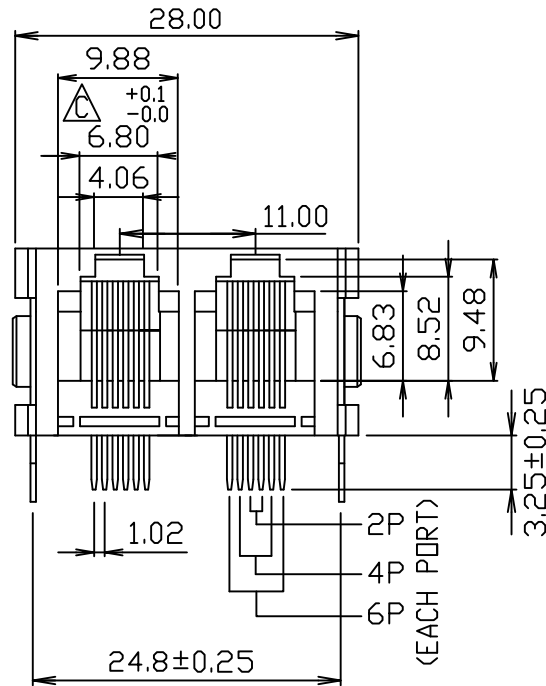
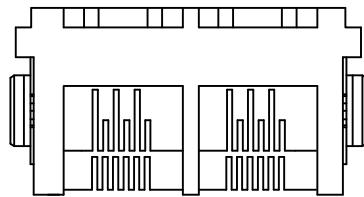


MATERIAL: HOUSING-PBT POLYESTER UL94V-0
 MIXED GLASS FIBER.
 STANDARD COLOR-BLACK
 CONTACTS-0.45mm DIAMETER PHOS-BRONZE
 PLATED WITH HARD GOLD.
 METAL PEG-0.50mm THICK PHOS-BRONZE
 PLATED WITH TIN/LEAD.
 CAVITY CONFIRMS TO FCC RULES AND REGULATIONS
 PART 68,SUBPART F.



PC Board Layout



RoHS Compliant

TOLERANCES ARE

MORETHANALL
 PCB CONNECTORS
 Cable ASSEMBLIES

DRAWING BY CY

X. ±

CHECKED BY GENIUS

.X ± 0.25

UNIT / mm

SCALE 1 : 1

.XX ± 0.13

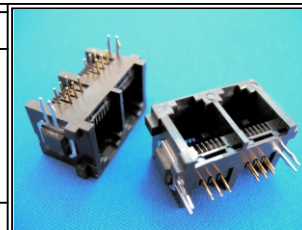
.XXX ± 0.05

ANG ±

DATE

SIZE A4

PJECTION



ORDER INFORMATION

MJ15A2-KE06Z-0606-LF

SERIES | | | 6P6C LEADFREE
 | | | CLIP
 | | | 06u" GOLD
 | | | EAR
 | | | BLACK

煜倫股份有限公司

www.morethanall.com

DESCRIPTION: 6POSITION SIDE ENTRY METEL PEGS
 PCB GANG JACK FROM 2 PORTS THRU 8 PORTS