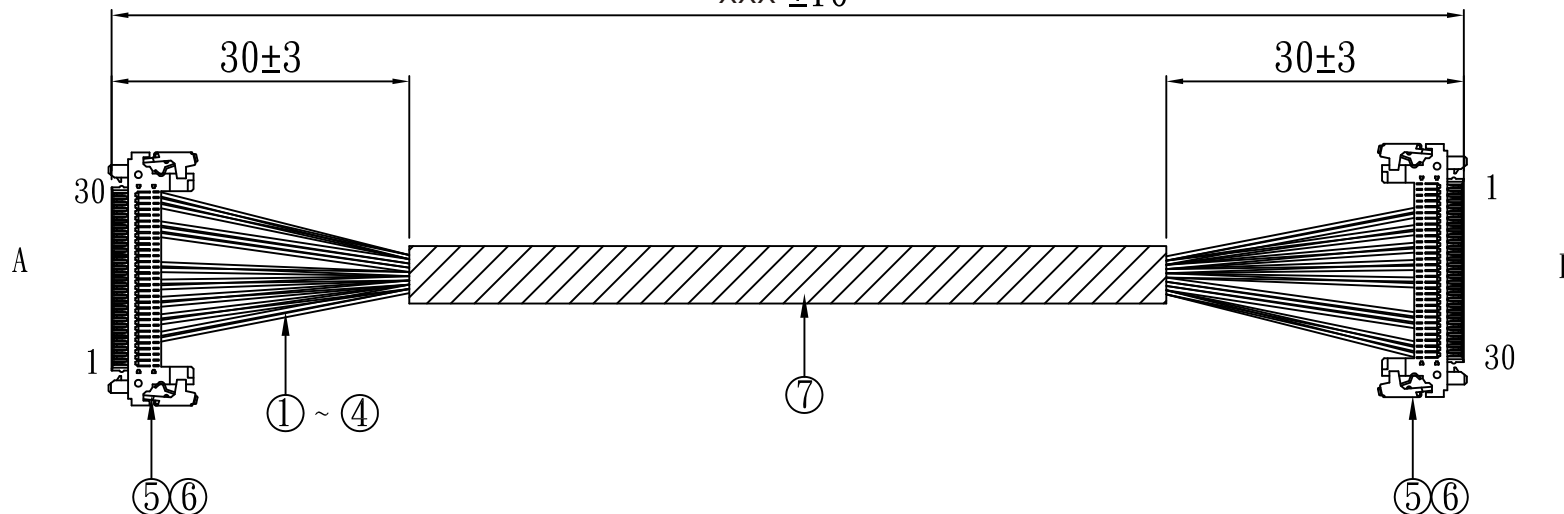


xxx ±10



WIRING CHART

A	Color	B
5	Blue	5
6	White	6
8	Blue	8
9	White	9
11	Blue	11
12	White	12
14	Blue	14
15	White	15
17	Blue	17
18	White	18
23	Black	23
24	Black	24
25	Black	25
28	Red	28
29	Red	29
30	Red	30

NOTES:

1. ALL DIMENSIONS ARE "mm".
2. THE PRODUCT MUST BE COMPLY WITH THE DIRECTIVE OF ROHS.

ELECTRICAL TESTING:

1. 100% OPEN/SHORT TEST
2. CONTACT RESISTANCE: 5mΩ
3. INSULATION RESISTANCE: 5MΩ Min

NO.	ITEM.	DESCRIPTION	Q'TY
1	WIRE:	UL1571 #28 OD:0.6 Red	3PCS
2	WIRE:	UL1571 #28 OD:0.6 Black	3PCS
3	WIRE:	UL1571 #28 OD:0.6 Blue	5PCS
4	WIRE:	UL1571 #28 OD:0.6 White	5PCS
5	HOUSING:	FIX-HL-30	2PCS
6	TERMINAL:	FIX-TG-30	32PCS
7	Acetate Cloth Tape :	W:20*L:200	1PCS
8			
9			

RoHS Compliant

TOLERANCES ARE

MORETHANALL
PCB CONNECTORS
Cable ASSEMBLIES

DRAWING BY CY

X.±

CHECKED BY GENIUS

.X±

UNIT / mm

SCALE 1 : 1

.XX±

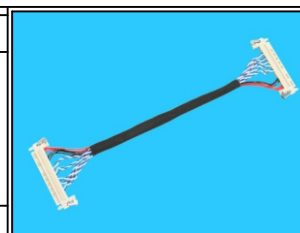
DATE

.XXX±

ANG±

SIZE A4

PPOJECTION



ORDER INFORMATION

FIXX2-303028LLTB1-Mxxx-LF
SERIES | LEADFREE
30 TO 30 WAY | 15C:150mm
28 AWG | 26C:260mm
LATCH | 30C:300mm
MALE TO MALE
ACETATE CLOTH TAPE

煜倫股份有限公司

www.morethanall.com

DESCRIPTION: