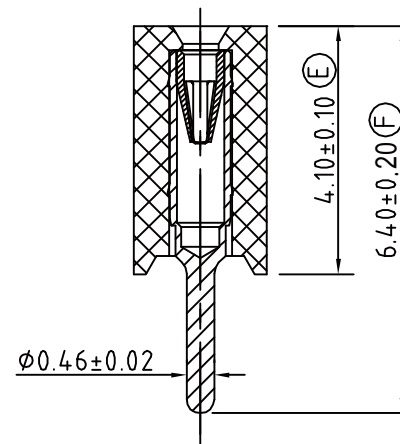
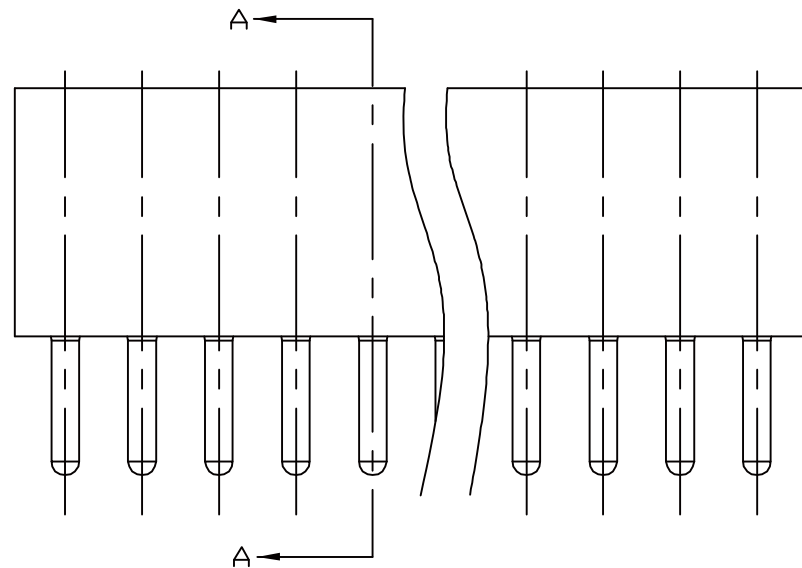
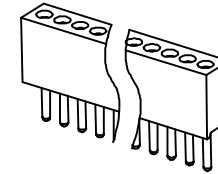
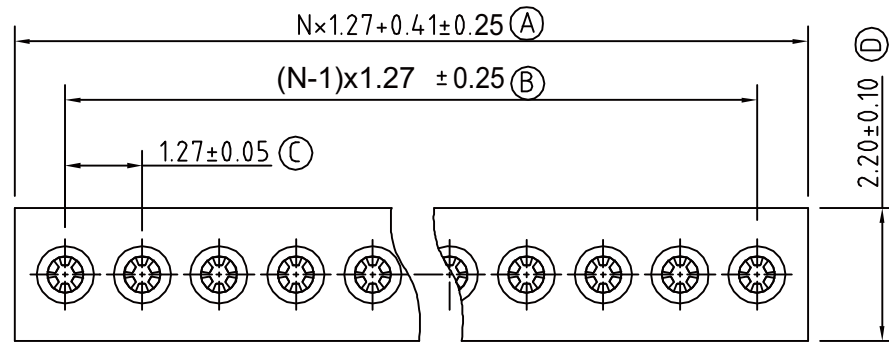


N=Number of contacts



SECTION A-A

Materials

- NYLON46 30%G/F UL94V-0, colour black, resistant to mineral acids, solvents, greases, oils
- Receptacle contact:
- Sleeve: Screw-machined brass, gold or tin-lead plated over $2-3\mu\text{m}$ nickel
- Clip: Stamped beryllium-copper, gold or tin-lead plated over $2-3\mu\text{m}$ nickel
- Pin contact: Screw-machined brass or phosphor bronze, gold or tin-lead plated over $2-3\mu\text{m}$ nickel

Mechanical

- gauge diameter (mm): 0.43
- Insertion force (N): 1.2
- Withdrawal force (N): 0.6
- Mechanical life: min. 500 cycles

Electrical

- Rated current (A): 1
 - Rated voltage: 100 VRMS/150 Vdc
 - Max contact resistance (m Ω): 20 m Ω
 - Insulation resistance: 10 000 M Ω min
 - Dielectric strength: 1000 VRMS min
 - Air and creepage (min): 0.4/0.5
 - Capacitance (pF): 1
- Environmental
- Operating temperature: $-55/+125^\circ\text{C}$
 - Vibration (10-2000 Hz, 15g): no electrical discontinuity $>1\mu\text{s}$
 - Shock (50g): no electrical discontinuity $>1\mu\text{s}$
 - Solderability (IEC 68-2-54 Ta): $235^\circ\text{C}, 5\text{s}$
 - Resistance to soldering heat (IEC 68-2-20 Tb): $260^\circ\text{C}, 50\text{s}$
 - Resistance to atmospheric corrosion: IEC 68-2-42 and 43
 - Climatic category (IEC): 55/125/21

RoHS Compliant

TOLERANCES ARE

MORETHANALL
PCB CONNECTORS
Cable ASSEMBLIES

煜倫股份有限公司

www.morethanall.com

DRAWING BY CY

CHECKED BY GENIUS

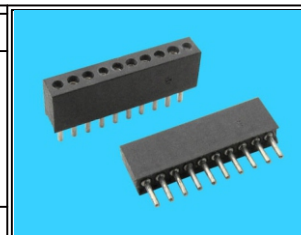
UNIT/mm SCALE 1:1

DATE

SIZE A4

PROJECTION

X, \pm
.X, \pm
.XX, \pm
.XXX, \pm
ANG, \pm



ORDER INFORMATION

HASS-D41-1Xxx-LF

SERIES | LEADFREE
1X02:02WAY
1X40:40WAY
HIGH 4.1mm
DIP 180°

DESCRIPTION: