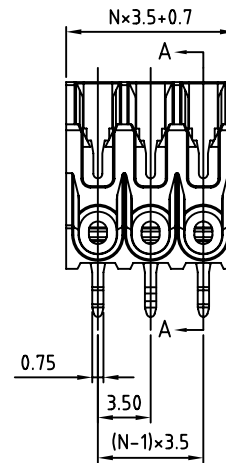
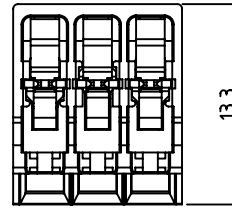


Material:

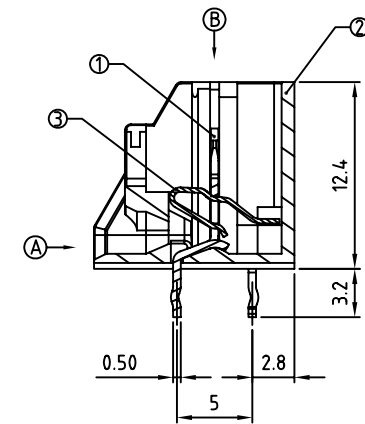
- Item ① Contact pin: Brass(CuZn) Tin plated
- Item ② Insulator(housing): Thermoplastic (UL94V-0)
- Item ③ Wire guard: Stainless steel

Electrical: cULus

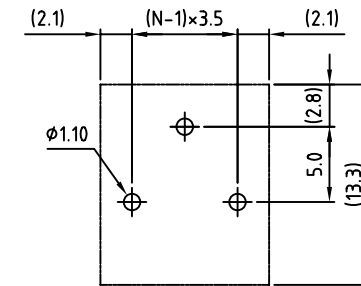
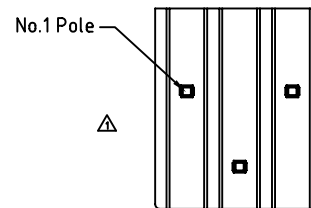
- Voltage rating: 500V
- Current rating: 2A
- Wire range:
- Push-Wire Connection: AWG 16-20 "sol" (A)
- Wire strip length: 7.5-8.5mm
- IDC Connection: AWG 20 "sol" (B)
- Withstanding Voltage: 2KV
- Operating temperature: -30°C to +105°C
- Soldering temperature: 250°C ±10°C/5 Sec



N=Number of Contacts



SECTION A-A



PCB Layout

RoHS Compliant

TOLERANCES ARE

MORETHANALL
PCB CONNECTORS
Cable ASSEMBLIES

煜倫股份有限公司

www.morethanall.com

DRAWING BY CY

CHECKED BY GENIUS

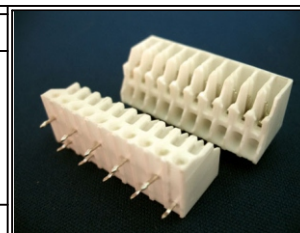
UNIT / mm SCALE 1 : 1

DATE

SIZE A4

X, ±
.X ±
.XX ±
.XXX ±
ANG ±

PJECTION



ORDER INFORMATION

TB1035-D12L-xx-LF

SERIES | | | LEADFREE
| | | 02~24WAY
| | | L TYPE FOOT
| | | HIGH 12.4mm
| | | DIP 180°

DESCRIPTION: