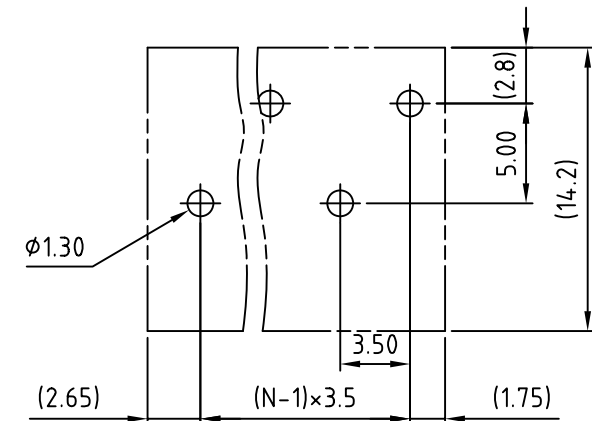


Material

- Contact pin : PhBz
- Surface of solder tail : Tin plated
- Insulator (housing): Thermoplastic (UL94V-0)

Electrical

- Voltage rating: 500V
- Current rating: 2A
- Wire range:
- Phsh-Wire Connection: AWG 16-20 "sol" ①
- Wire strip length: 7.5-8.5mm
- IDC Connection: AWG 20 "sol" ②
- Withstanding Voltage: 2KV
- Operating temperature: -30°C to +105°C
- Soldering temperature: 250°C±10°C/5 Sec



RECOMMENDED PCB LAYOUT

MORETHANALL
PCB CONNECTORS
Cable ASSEMBLIES

煜倫股份有限公司

www.morethanall.com

RoHS Compliant

DRAWING BY CY

CHECKED BY GENIUS

UNIT / mm SCALE 1 : 1

DATE

SIZE A4

TOLERANCES ARE

X. ±

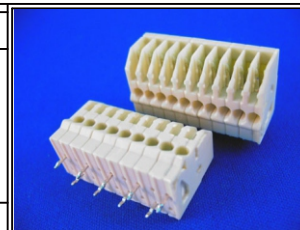
.X ±

.XX ±

.XXX ±

ANG ±

PJECTION



ORDER INFORMATION

TB1035-D19L-xx-LF

SERIES LEADFREE
02~24WAY
L TYPE FOOT
HIGH 19.2mm
DIP 180°

DESCRIPTION: