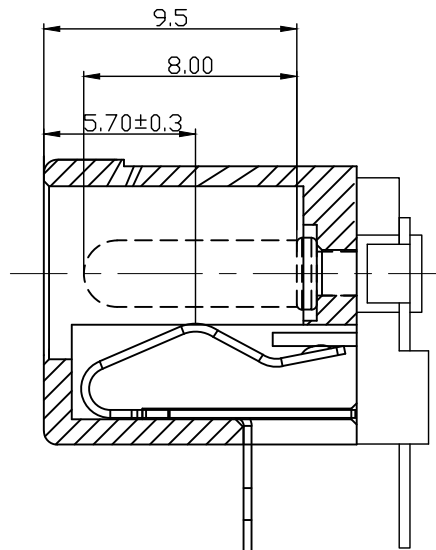


T:1.6 Dimensions of PC board holes
Tolerance : ± 0.05 (Printed-top view)

CAT. NO.	PIN	SCHEMATIC
DCJ-R-20	$\phi 2.0$	



6	COVER	1	PBT 4815	UL-94V0(BLACK)
5	HOUSING	1	PBT 4815	UL-94V0(BLACK)
4	FLAT PIECE	1	C2680 t=0.4	Sn PLATED
3	SPRING	1	C5191 t=0.3	Sn PLATED
2	CURVE PIECE	1	C2680 t=0.4	Sn PLATED
1	PIN	1	H59(COPPER ALLOY)	Ni PLATED
LTR	PART NAME	QTY	MATERIAL	REMARK

UNLESS OTHERWISE SPECIFIED, TOLERANCE ON DECIMAL: ± 0.3

RoHS Compliant

TOLERANCES ARE

MORETHANALL
PCB CONNECTORS
Cable ASSEMBLIES

煜倫股份有限公司

www.morethanall.com

DRAWING BY CY

CHECKED BY GENIUS

UNIT/mm SCALE 1:1

DATE

SIZE A4

PJECTION

X, ±
.X ±
.XX ±
.XXX ±
ANG ±



ORDER INFORMATION

DCJ-R-20-LF
SERIES | LEADFREE
| $\phi 2.0$
| DIP 90°

DESCRIPTION: