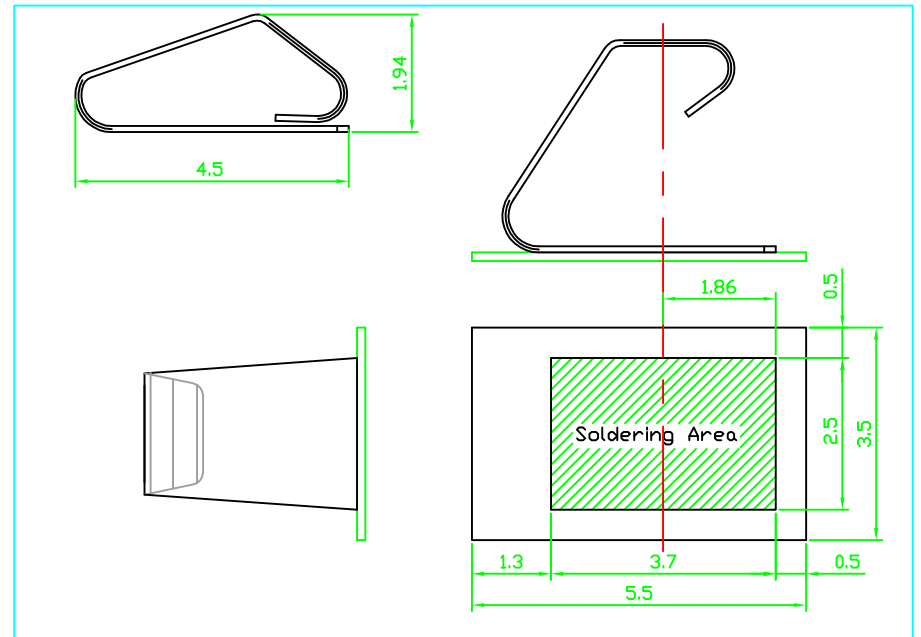


PCB Recommend Layout Pattern



Note:
 1. Plating: Au 1u" over Nickel. (Barrel Plating)
 2. T: 0.1mm

尺寸公差 $\pm 0.2\text{mm}$

RoHS Compliant

TOLERANCES ARE

MORETHANALL
 PCB CONNECTORS
 Cable ASSEMBLIES

DRAWING BY CY

X. \pm

CHECKED BY GENIUS

.X \pm

UNIT / mm

SCALE 1:1

.XX \pm

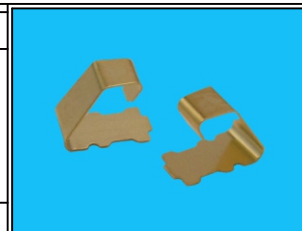
DATE

.XXX \pm

ANG \pm

SIZE A4

PJECTION



ORDER INFORMATION

OGT-VXG01-452535-LF
 SERIES | LEADFREE
 4.50X2.50X3.50mm
 GOLD 1u"
 NON POST
 180°SMT

煜倫股份有限公司

www.morethanall.com

DESCRIPTION: