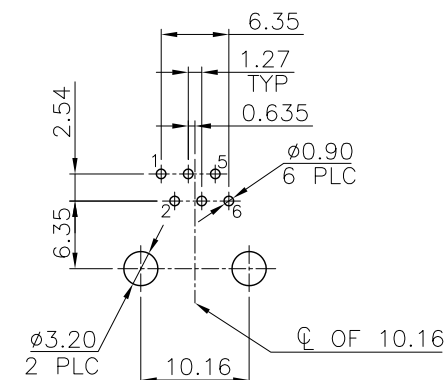
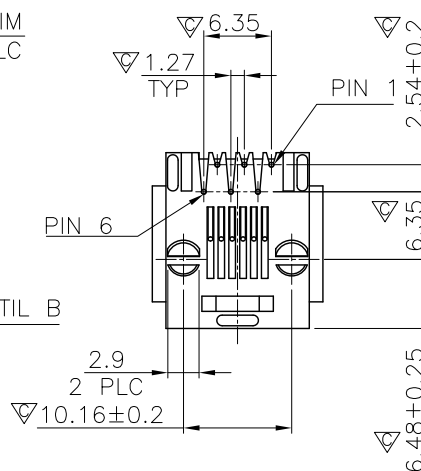
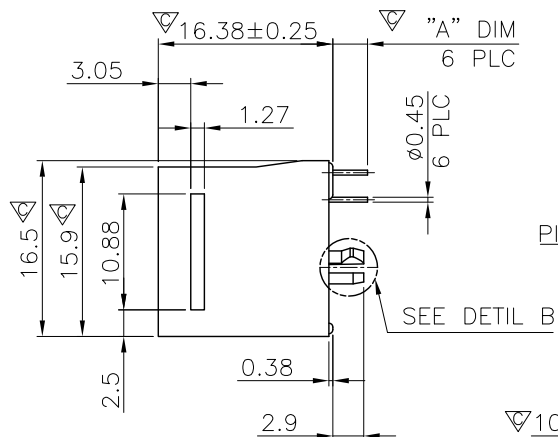
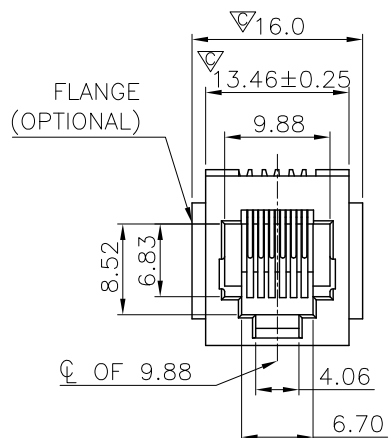


NOTE:

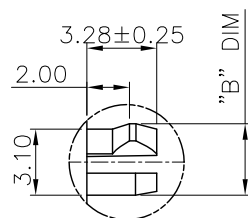
CAVITY CONFIRMS TO FCC RULES AND REGULATIONS PART 68, SUBPART F.

1. MATERIAL:
HOUSING: PBT OR PA46, WITH GLASS FIBER,
UL 94V-0, STANDARD COLOR-BLACK.
CONTACTS: PHOSPHOR BRONZE.
2. FINISH:
CONTACTS: GOLD PLATED ON ENTIRE CONTACT,
1.27 μ m [50 μ "] MIN. NICKEL UNDERPLATED
ALL OVER.
3. "▽" SHOWS QIP INSPECTION POINT.



RECOMMENDED PCB LAYOUT

RECOMMENDED PCB THICKNESS: 1.6mm
TOLERANCE: ± 0.05 (TOP VIEW)



DETAIL B
(SCALE 2:1)

RoHS Compliant

TOLERANCES ARE

MORETHANALL
PCB CONNECTORS
Cable ASSEMBLIES

DRAWING BY CY

X, \pm

CHECKED BY GENIUS

.X ± 0.25

UNIT / mm

SCALE 1 : 1

.XX ± 0.13

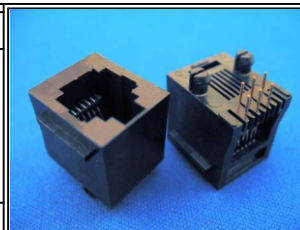
DATE

.XXX ± 0.05

ANG \pm

SIZE A4

PJECTION



ORDER INFORMATION

MJD16-KExx-0606-LF

SERIES | LEADFREE

BLACK | 6P6C
EAR | 01:G/F
| 06:6u" GOLD

DESCRIPTION: 6POSITION, 180°, SPLIT PEGS, TOP ENTRY PCB JACK

煜倫股份有限公司

www.morethanall.com