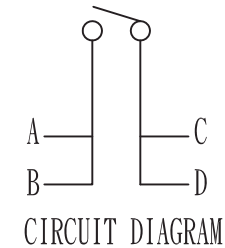
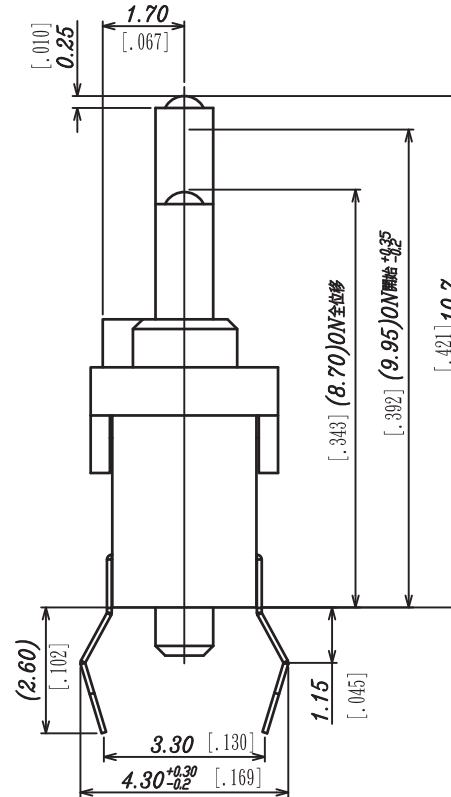
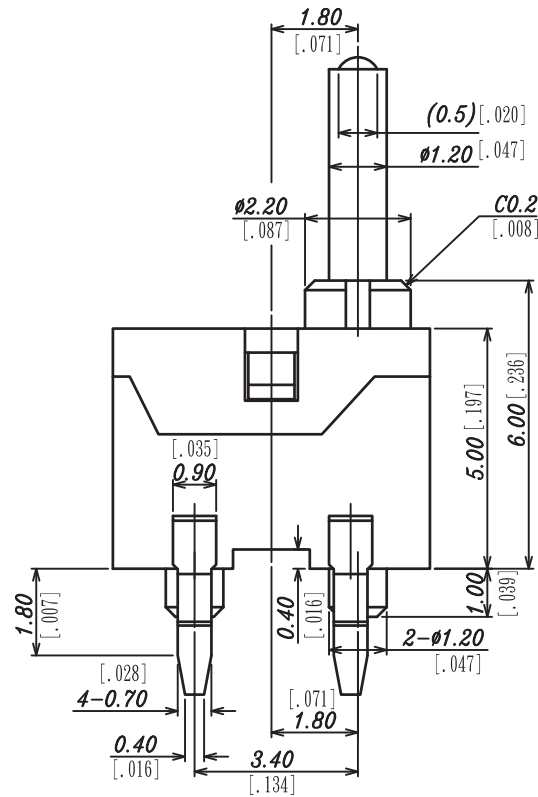


P.C.B. LAYOUT

NOTE:

1. ALL DIMENSIONS ARE IN MILLIMETERS, [] DIMENSIONS ARE IN INCHS.
2. GENERAL TOLERANCE: ±0.2 mm



RoHS Compliant

TOLERANCES ARE

MORETHANALL
PCB CONNECTORS
Cable ASSEMBLIES

DRAWING BY CY

X, ±

CHECKED BY GENIUS

.X ±

UNIT / mm

SCALE 1 : 1

.XXX ±

DATE

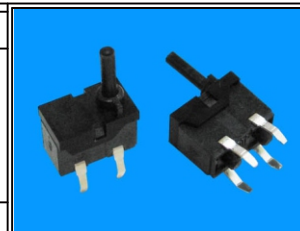
ANG ±

煜倫股份有限公司

www.morethanall.com

SIZE A4

P PROJECTION



ORDER INFORMATION

DTSW-D107P2-2X02-LF

SERIES

LEADFREE

04 WAY

POSTx2

HIGH 10.7mm

DIP 180°

DESCRIPTION: