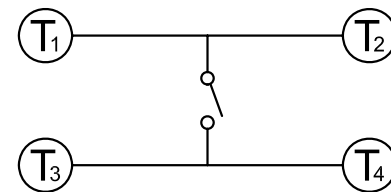
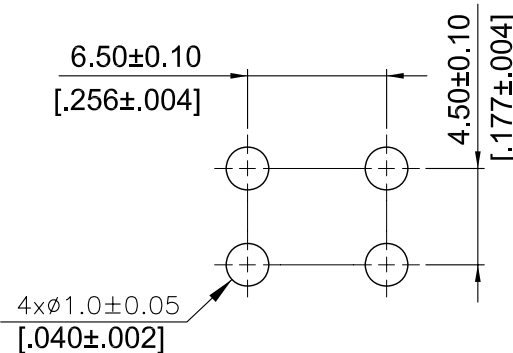


NOTE:

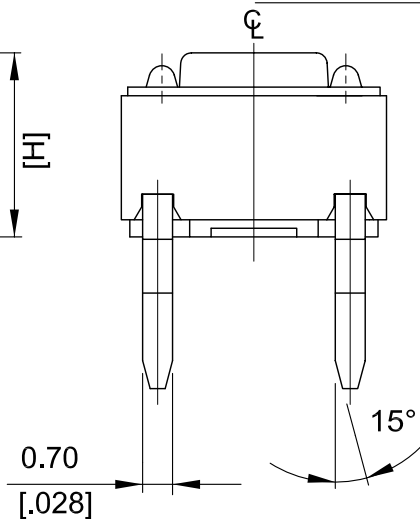
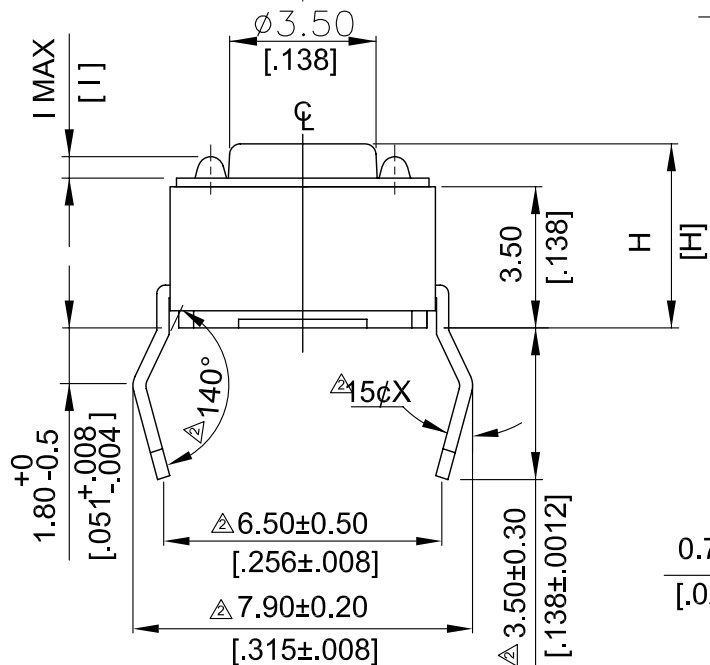
1. ALL DIMENSIONS ARE IN MILLIMETERS, BRACKETED DIMENSIONS ARE IN INCHES.
2. GENERAL TOLERANCES MAX.±0.20mm.



CIRCUIT DIAGRAM



P.C.B. LAYOUT



TSW66-DQ130-xxx	13.0 [.512]
TSW66-DQ095-xxx	9.5 [.374]
TSW66-DQ070-xxx	7.0 [.275]
TSW66-DQ050-xxx	5.0 [.197]
TSW66-DQ043-xxx	4.3 [.169]
PROD. NO.	H

TSW66-DQ050~130-xxx	0.6 MAX	.0236 MAX
TSW66-DQ043-xxx	0.5 MAX	.0197 MAX
PROD. NO.	I	INCHES.

RoHS Compliant

TOLERANCES ARE



DRAWING BY CY

CHECKED BY GENIUS

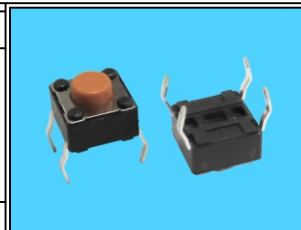
UNIT / mm SCALE 1 : 1

DATE

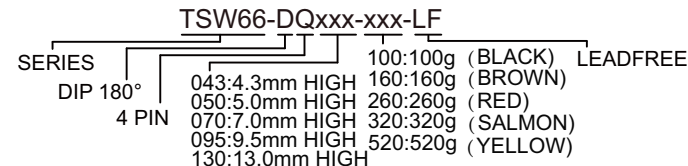
SIZE A4

X, ±
X, ±
.XX ±
.XXX ±
ANG ±

PPOJECTION



ORDER INFORMATION



DESCRIPTION: TACTILE SWITCH 6X6 (MECHANICAL CONTACT TYPE)

煜倫股份有限公司

www.morethanall.com