

**SPECIFICATIONS**

Current Rating:3A  
 Dielectric Withstanding Volatge:1000V AC/1 Min  
 Contact Resistance:20Milliohms Max  
 Insulation Resistance:5000Megohm Min At 500V DC  
 Operating Temperature:-55°C~+85°C  
 Insertion Force:340g Max Per Pair  
 Withdrawal Force:28g Min Per Pair  
 Insulator:Glass-Fiber PBT(UL94V-0)  
 Contact: Brass (B)  
 Plating: MATING AREA- G/F GOLD OVER NICKEL.  
 SOLDER AREA- TIN OVER NICKEL.  
 RoHS Compliant

Pin	A	B	C	Pin	A	B	C
6	5.08	10.66	14.22	42	50.80	56.38	59.94
8	7.62	13.20	16.76	44	53.34	58.92	62.48
10	10.16	15.74	19.30	46	55.88	61.46	65.02
12	12.70	18.28	21.84	48	58.42	64.00	67.56
14	15.24	20.82	24.38	50	60.96	66.54	70.10
16	17.78	23.36	26.92	52	63.50	69.08	72.64
18	20.32	25.90	29.46	54	66.04	71.62	75.18
20	22.86	28.44	32.00	56	68.58	74.16	77.72
22	25.40	30.98	34.54	58	71.12	76.70	80.26
24	27.94	33.52	37.08	60	73.66	79.24	82.80
26	30.48	36.06	39.62	62	76.20	81.78	85.34
28	33.02	38.60	42.16	64	78.74	84.32	87.88
30	35.56	41.14	44.70	66	81.28	86.86	90.42
32	38.10	43.68	47.24	68	83.82	89.40	92.96
34	40.64	46.22	49.78	70	86.36	91.94	95.50
36	43.18	48.76	52.32	72	88.90	94.48	98.04
38	45.72	51.30	54.86	86	106.68	112.26	115.82
40	48.26	53.84	57.40	100	124.46	130.04	133.60

RoHS Compliant

TOLERANCES ARE



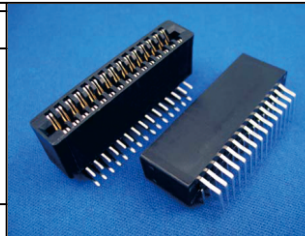
煜倫股份有限公司

www.morethanall.com

DRAWING BY CY  
 CHECKED BY GENIUS  
 UNIT/mm SCALE 1:1  
 DATE

X.±  
 .X±0.38  
 .XX±0.25  
 .XXX±  
 ANG±

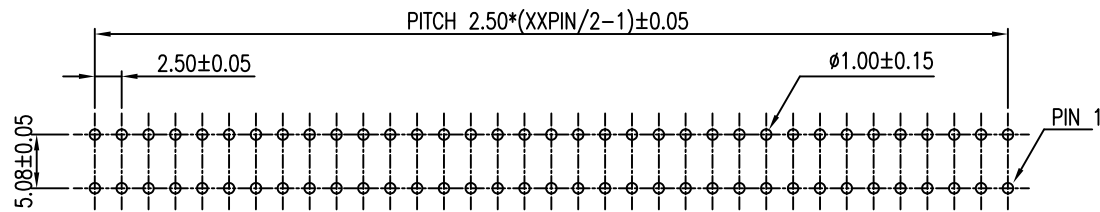
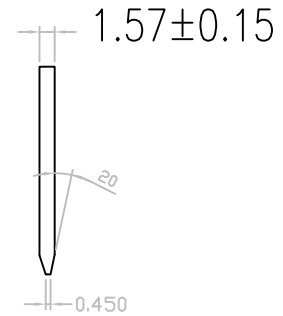
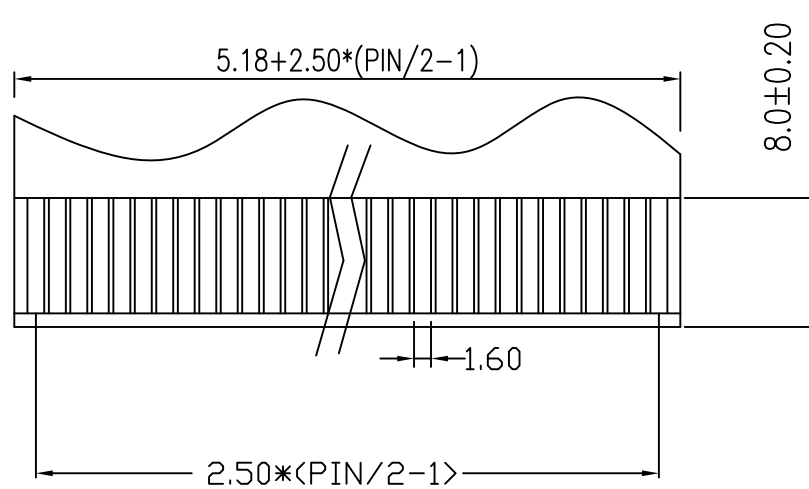
SIZE A4 PROJECTION



ORDER INFORMATION

GE-R-xxx-LF  
 SERIES LEADFREE  
 006-072WAY  
 DIP 90°

DESCRIPTION:



RECOMMENDED PCB LAYOUT

RoHS Compliant

TOLERANCES ARE

**MORETHANALL**  
PCB CONNECTORS  
Cable ASSEMBLIES

DRAWING BY CY

CHECKED BY GENIUS

UNIT / mm

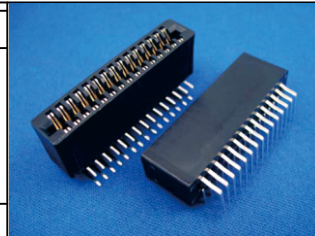
SCALE 1 : 1

DATE

SIZE A4

X, ±  
.X ±  
.XX ±  
.XXX ±  
ANG ±

P PROJECTION



ORDER INFORMATION

GE-R-xxx-LF  
SERIES | LEADFREE  
006-072WAY  
DIP 90°

煜倫股份有限公司

www.morethanall.com

DESCRIPTION: