

DETAIL Z  
SCALE 2:1

NOTE:

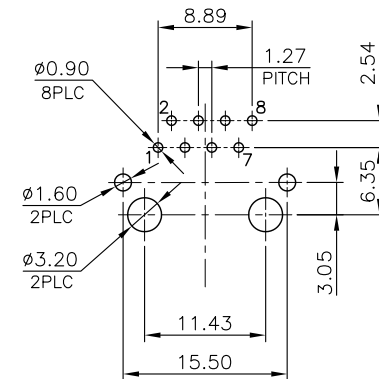
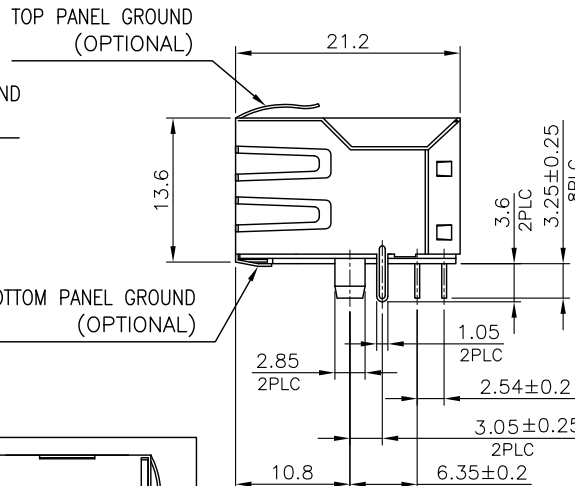
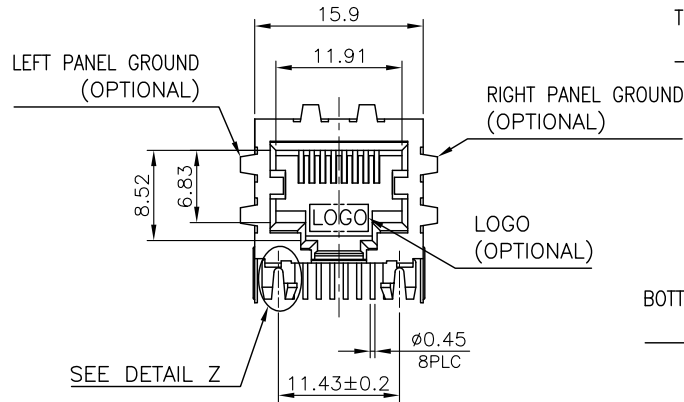
CAVITY CONFIRMS TO FCC RULES AND REGULATIONS PART 68, SUBPART F.

1. MATERIAL:

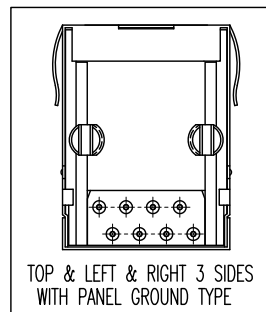
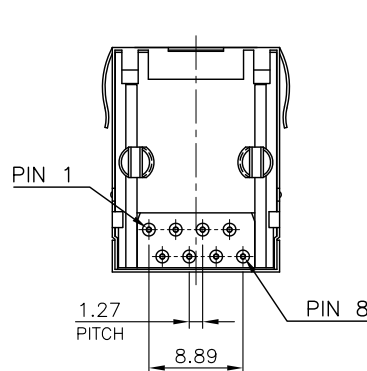
- 1.1 HOUSING: PBT OR PA46, WITH GLASS FIBER, UL94V-0, STANDARD COLOR-BLACK.
- 1.2 INSERT HOUSING: PBT OR PA46, WITH GLASS FIBER, UL94V-0, STANDARD COLOR-BLACK.
- 1.3 CONTACTS: PHOSPHOR BRONZE.
- 1.4 SHELL: BRASS.

2. FINISH:

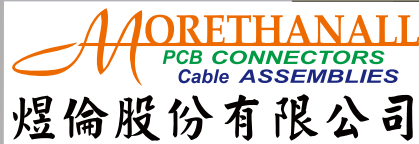
- 2.1 CONTACTS: GOLD PLATED ON ENTIRE CONTACT,  $1.27\mu\text{m}$  [ $50\mu''$ ] MIN. NICKEL UNDERPLATED OVERALL.
- 2.2 SHELL:  $0.508\mu\text{m}$  [ $20\mu''$ ] MIN. NICKEL PLATED.



RECOMMENDED PCB LAYOUT  
PCB THICKNESS: 1.6mm  
TOLERANCE:  $\pm 0.05\text{mm}$  (TOP VIEW)



RoHS Compliant

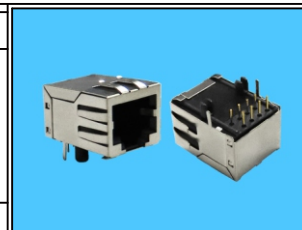


www.morethanall.com

DRAWING BY CY	
CHECKED BY GENIUS	
UNIT / mm	SCALE 1 : 1
DATE	
SIZE A4	P PROJECTION

TOLERANCES ARE

- X,  $\pm$
- .X  $\pm 0.25$
- .XX  $\pm 0.13$
- .XXX  $\pm 0.05$
- ANG  $\pm$



ORDER INFORMATION

MJF13-KF06B3-0808-LF

SERIES	LEADFREE
8P8C	REAR TAB 3.05mm
06u" GOLD	FULL SPRING
BLACK	

DESCRIPTION: RJ45, ROUND PIN, WITH SHELL, SIDE ENTRY PCB JACK