

MORETHANALL
PCB CONNECTORS
Cable ASSEMBLIES

煜倫股份有限公司

www.morethanall.com

RoHS Compliant

DRAWING BY CY

CHECKED BY GENIUS

UNIT / mm

SCALE 1 : 1

DATE

SIZE A4

TOLERANCES ARE

X ± 0.20

.X ± 0.15

.XX ± 0.10

.XXX ± 0.05

ANG ±

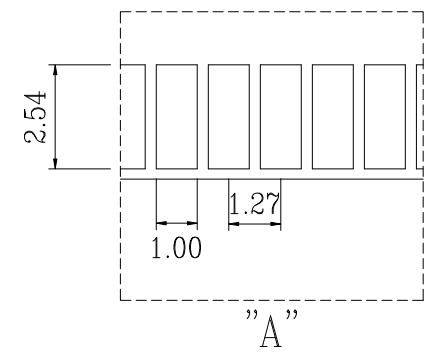
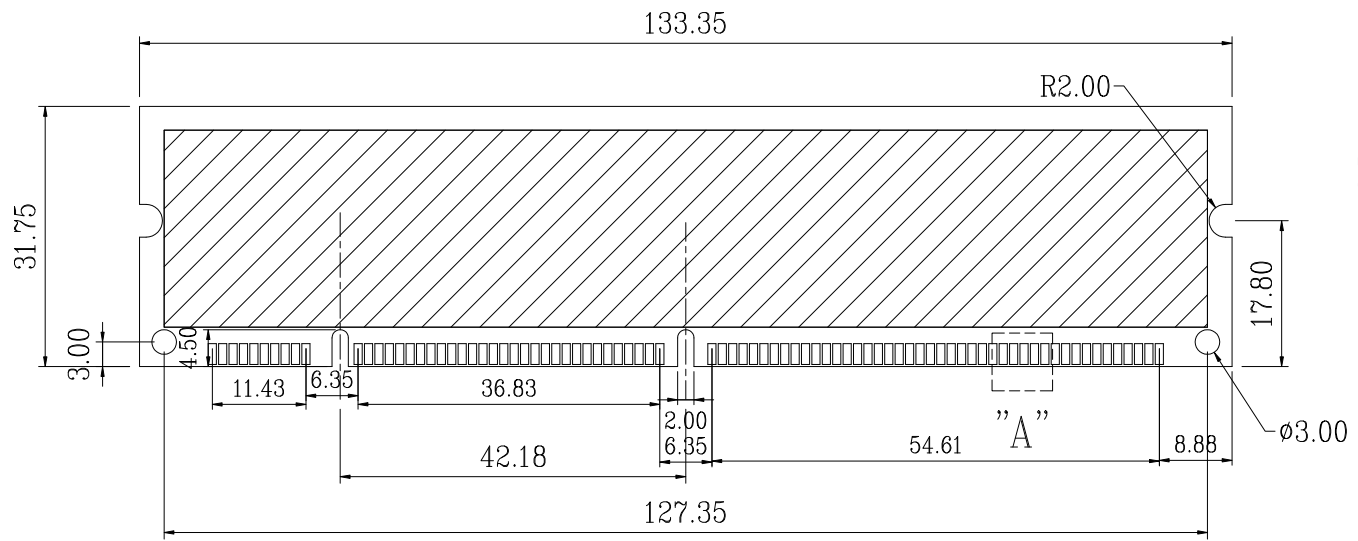
PPOJECTION



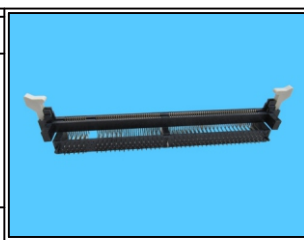
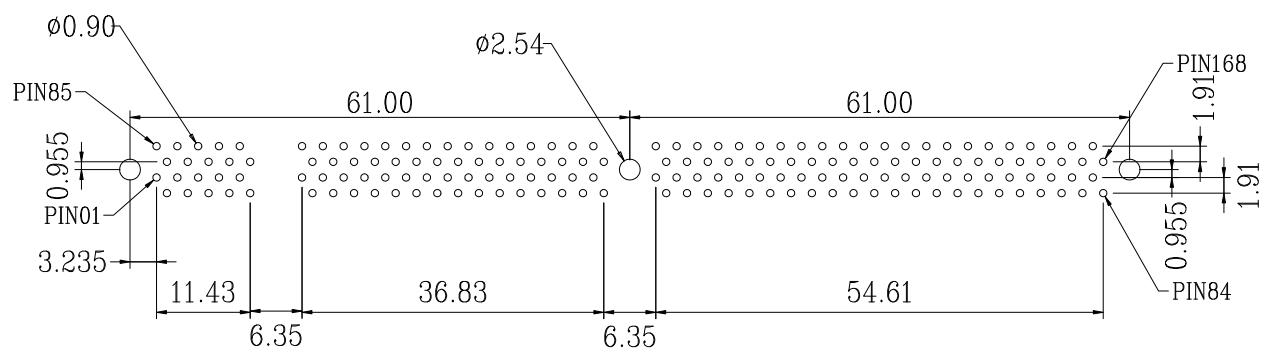
ORDER INFORMATION

DIM-RV15-168-LF
SERIES | | | LEADFREE
| | | 168WAY
| | | HIGH 15.5mm
| | | REVERSE
| | | DIP 90°

DESCRIPTION: Dimm Socket 168P 90° Reverse



S=5/1



RoHS Compliant

TOLERANCES ARE

DRAWING BY	CY	X ± 0.20
CHECKED BY	GENIUS	.X ± 0.15
UNIT / mm	SCALE 1 : 1	.XX ± 0.10
DATE		.XXX ± 0.05
SIZE A4	PPOJECTION	ANG ±

ORDER INFORMATION

DIM-RV15-168-LF		
SERIES	LEADFREE	
	168WAY	
	HIGH 15.5mm	
	REVERSE	
	DIP 90°	

DESCRIPTION: Dimm Socket 168P 90° Reverse

MORETHANALL
PCB CONNECTORS
Cable ASSEMBLIES
煜倫股份有限公司
www.morethanall.com