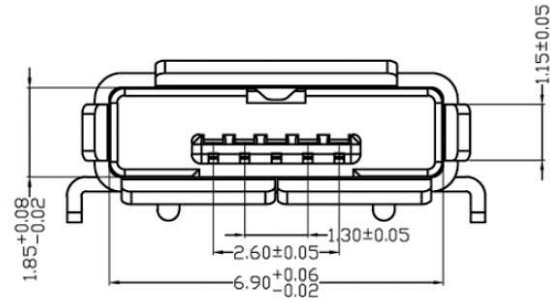
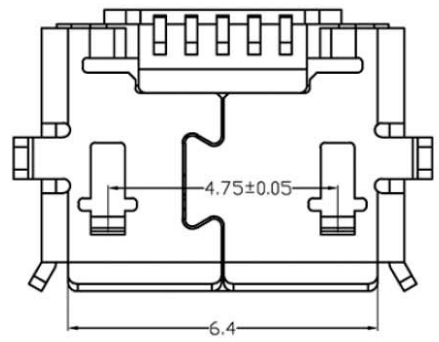
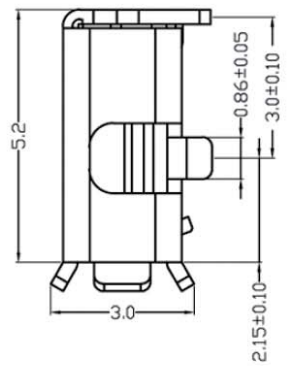
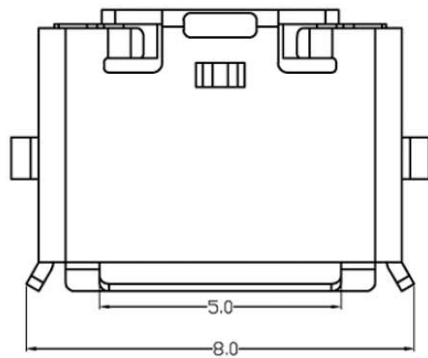


PCB LAYOUT



Note:

- 1.Material:
 - 1.1 Housing: High temperature thermoplastic with g.f,UL94v-0
 - 1.2 Contact: copper alloy,t=0.15mm
 - 1.3 Shell: copper alloy&SUS
- 2.Specification:
 - 2.1 Current rating: 1 A Max.
 - 2.2 Dielectric withstanding voltage: 100 V(ac) for 1 min.
 - 2.3 Contact resistance: 30 mΩ Max.
 - 2.4 Insulation resistance: 100 MΩ Min.
 - 2.5 Total mating force: 3.57 Kgf Max.
 - 2.6 Total unmating force: 1.0 Kgf Min.0.81~2.05 Kgf Min.after 10000 insertion/extration cycles
 - 2.7 Temperature range: -30°C~80°C

RoHS Compliant

TOLERANCES ARE



煜倫股份有限公司

www.morethanall.com

DRAWING BY CY

CHECKED BY GENIUS

UNIT / mm

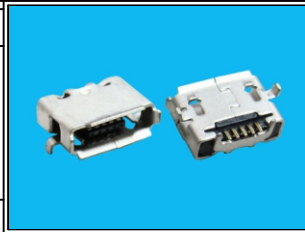
SCALE 1 : 1

DATE

SIZE A4

X, ±
X ± 0.25
.XX ± 0.15
.XXX ± 0.05
ANG ±

PJECTION



ORDER INFORMATION

MISB-SWRVMM84-5AB-LF

SERIES | LEADFREE
5 PIN AB TYPE
FOOT WIDTH 8.35mm
FEMALE | METAL FOOT / 2
90°SMT | REVERSED

DESCRIPTION: MICRO USB2.0 5P 反向SMT AB TYPE 牛角型