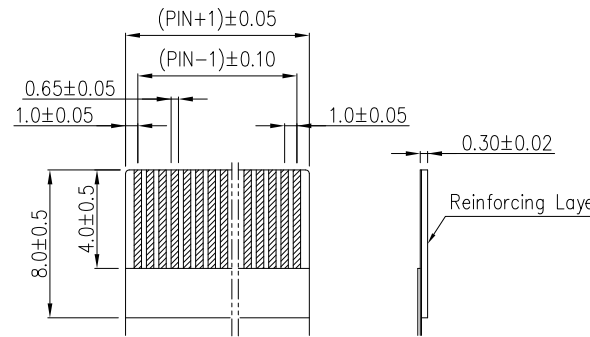


PCB Layout



RECOMMENDED FFC/FPC DIM.

SPEC :

1. Housing: High-Temp Plastic, UL94-V
Color: Nature(Lvory)(LCP)
2. Locker: High-Temp Plastic, UL94-V
Color: Black(LCP)
3. Contact: Phosphor Bronze(C5191)
4. Solder Tab: BRASS(C2680)
5. Operating Voltage (Max): 50V AC
6. Current Rating (Max): 1.0A DC
7. Operating Temperature Range : -45°C ~ +85°C

PIN	DIM.A	DIM.B	DIM.C	DIM.D
4	9.2	3.0	11.0	5.1
5	10.2	4.0	12.0	6.1
6	11.2	5.0	13.0	7.1
7	12.2	6.0	14.0	8.1
8	13.2	7.0	15.0	9.1
9	14.2	8.0	16.0	10.1
10	15.2	9.0	17.0	11.1
11	16.2	10.0	18.0	12.1
12	17.2	11.0	19.0	13.1
13	18.2	12.0	20.0	14.1
14	19.2	13.0	21.0	15.1
15	20.2	14.0	22.0	16.1
16	21.2	15.0	23.0	17.1
17	22.2	16.0	24.0	18.1
18	23.2	17.0	25.0	19.1
19	24.2	18.0	26.0	20.1
20	25.2	19.0	27.0	21.1
21	26.2	20.0	28.0	22.1
22	27.2	21.0	29.0	23.1
23	28.2	22.0	30.0	24.1
24	29.2	23.0	31.0	25.1
25	30.2	24.0	32.0	26.1
26	31.2	25.0	33.0	27.1
27	32.2	26.0	34.0	28.1
28	33.2	27.0	35.0	29.1
29	34.2	28.0	36.0	30.1
30	35.2	29.0	37.0	31.1
31	36.2	30.0	38.0	32.1
32	37.2	31.0	39.0	33.1
33	38.2	32.0	40.0	34.1
34	39.2	33.0	41.0	35.1
35	40.2	34.0	42.0	36.1
36	41.2	35.0	43.0	37.1
37	42.2	36.0	44.0	38.1
38	43.2	37.0	45.0	39.1
39	44.2	38.0	46.0	40.1
40	45.2	39.0	47.0	41.1

RoHS Compliant

TOLERANCES ARE

MORETHANALL
PCB CONNECTORS
Cable ASSEMBLIES

DRAWING BY CY

CHECKED BY GENIUS

UNIT / mm

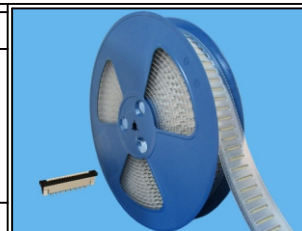
SCALE 1 : 1

DATE

SIZE A4

PJECTION

X. ±
.X ± 0.30
.XX ± 0.20
.XXX ± 0.10
ANG ±



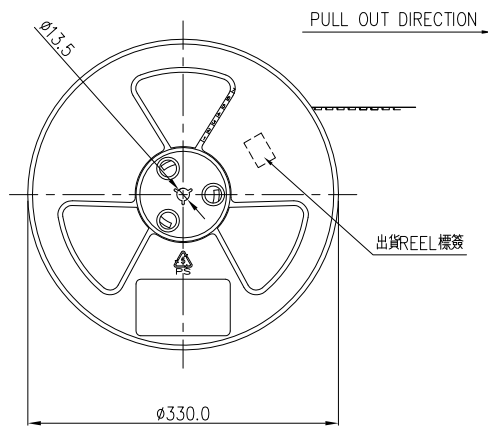
ORDER INFORMATION

FPA-VZAL56R-xx-LF
SERIES L LEAD FREE
04~40WAY
REEL
180°SMT HIGH 5.6mm
ZIF L TYPE FOOT POSITION
SINGLE CONTACT

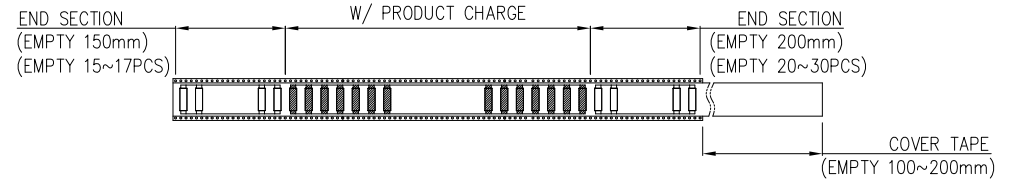
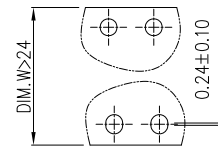
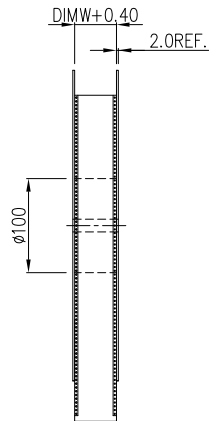
DESCRIPTION: FPC 1.0PH 5.6H 抽屜立貼單接正腳位

煜倫股份有限公司

www.morethanall.com



SCALE 3:20

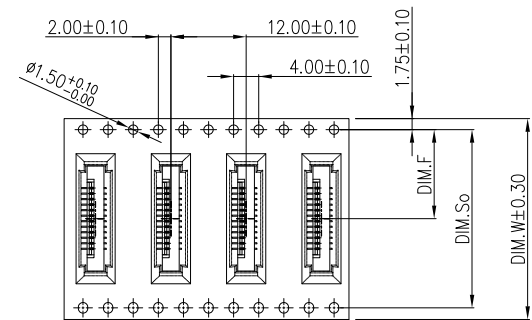
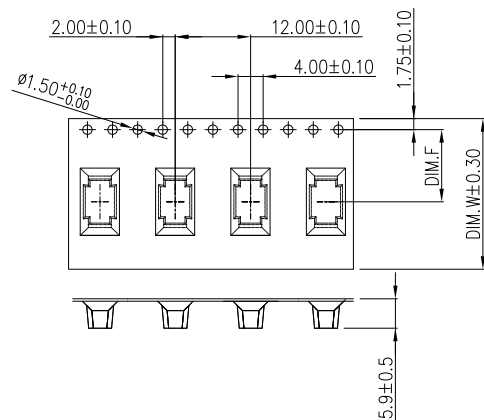


1. 包裝方式:

- 1.1 載帶頭空約15pcs空槽, 尾空約25pcs穴槽
- 1.2 每REEL 共包裝產品900PCS

注意:

1. 防止漏裝
2. 產品在CARRY TAPE 中的方向須與圖一致
3. COVER TYPE 剝離力: 30.0~130gf, 速度: 300mm/min
4. 包裝標示/標簽滿足客戶和廠內管制要求



PIN NO.	DIM.F	DIM.W	DIM.So
4~9	11.50±0.20	24.0±0.30	單邊孔
10~13	14.20±0.20	32.0±0.30	28.4±0.20
14~26	20.20±0.25	44.0±0.30	40.4±0.20
27~34	26.20±0.25	56.0±0.30	52.4±0.20

RoHS Compliant

TOLERANCES ARE

MORETHANALL
PCB CONNECTORS
Cable ASSEMBLIES
煜倫股份有限公司

DRAWING BY CY

CHECKED BY GENIUS

UNIT / mm

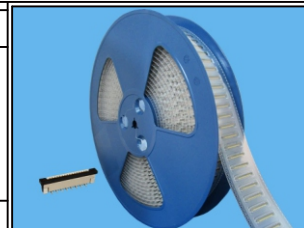
SCALE 1:1

DATE

SIZE A4

PJECTION

X, ±
.X ± 0.30
.XX ± 0.20
.XXX ± 0.10
ANG ±



ORDER INFORMATION

FPA-VZAL56R-xx-LF
SERIES | | | | LEAD FREE
04~40WAY
REEL
180°SMT HIGH 5.6mm
ZIF L TYPE FOOT POSITION
SINGLE CONTACT

DESCRIPTION: FPC 1.0PH 5.6H 抽繩立貼單接正腳位

www.morethanall.com