

## SPECIFICATIONS

### Electrical

Current Rating: 1A AC, DC

Voltage Rating: 150V AC/ max.

Operating Temp.: -25°C ~ +85°C

Insulation Resistance: 500MΩ/ min.

Withstand Voltage: 500V AC/ min.

Contact Resistance: 30mΩ/ max.

### Material

Terminal Material: Brass/ Tin-plated

Material: Nylon 6T, UL94V-0

Poles	Dimension mm (in.)		Part No.
	A	B	
20	23.75 (0.935)	30.00 (1.181)	DF14-WXR-20
25	30.00 (1.181)	36.25 (1.427)	DF14-WXR-25
30	36.25 (1.427)	42.50 (1.673)	DF14-WXR-30

**RoHS Compliant**

**MORETHANALL**  
PCB CONNECTORS  
Cable ASSEMBLIES

煜倫股份有限公司

www.morethanall.com

DRAWING BY CY

CHECKED BY GENIUS

UNIT/ mm SCALE 1:1

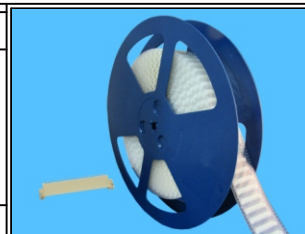
DATE

SIZE A4

TOLERANCES ARE

X, ±  
.X ±  
.XX ±  
.XXX ±  
ANG ±

PJECTION



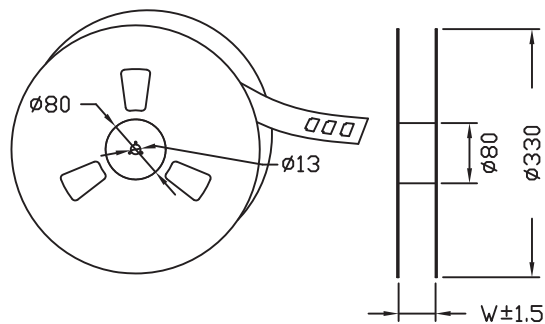
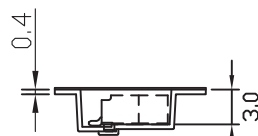
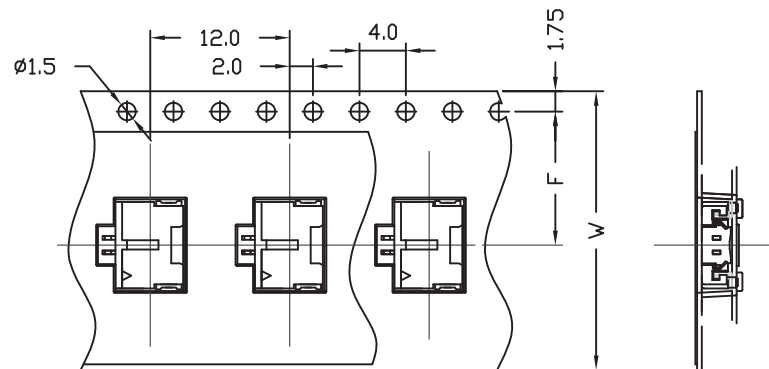
### ORDER INFORMATION

DF14-WXR-xx-LF

SERIES | | | LEADFREE  
20.25.30WAY  
| | | REEL  
| | | NON POST  
| | | 90°SMT

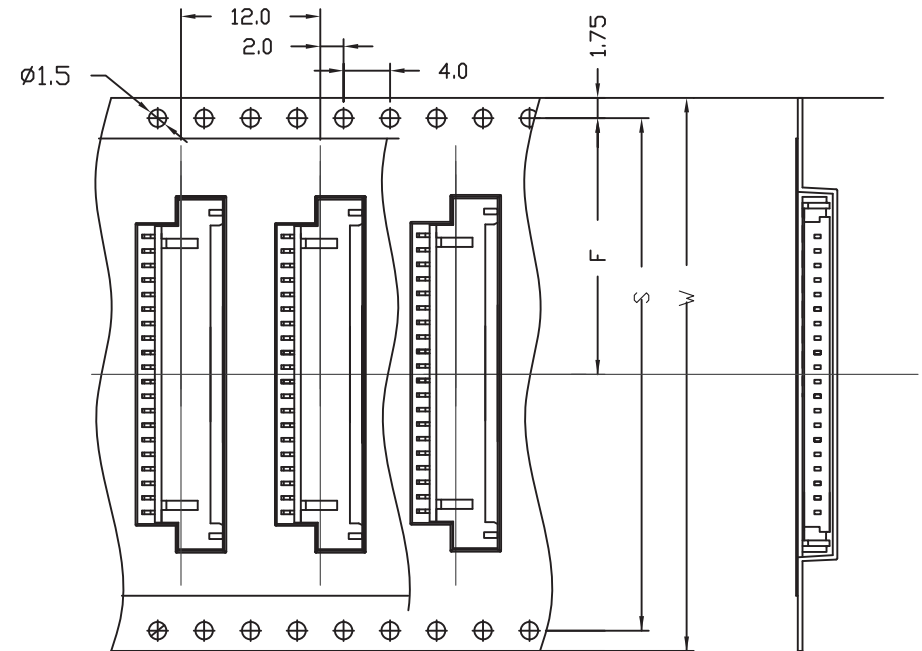
DESCRIPTION: 1.25mm Wire-to-Board Header SMT 90° Type

## 2PIN Contacts



Number of Contacts	W±0.3	F±0.1	S±0.15	Q'ty/Reel
2P	16	7.5	---	1,000
20P	44	20.2	40.40	1,000
25P	56	26.2	52.40	1,000
30P	56	26.2	52.40	1,000

## 20.25.30 PIN Contacts



**RoHS Compliant**

TOLERANCES ARE

**MORETHANALL**  
PCB CONNECTORS  
Cable ASSEMBLIES

DRAWING BY CY

CHECKED BY GENIUS

UNIT/mm

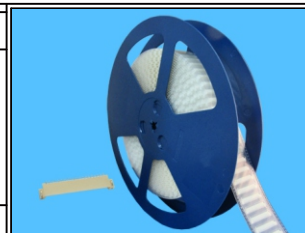
SCALE 1:1

DATE

SIZE A4

X. ±  
.X ± 0.25  
.XX ± 0.15  
.XXX ±  
ANG ±

PJECTION



**ORDER INFORMATION**

DF14-WXR-xx-LF

SERIES | | | LEADFREE  
| | | 20.25.30WAY  
| | | REEL  
| | | NON POST  
| | | 90°SMT

**煜倫股份有限公司**

[www.morethanall.com](http://www.morethanall.com)

DESCRIPTION: 1.25mm Wire-to-Board Header SMT 90° Type