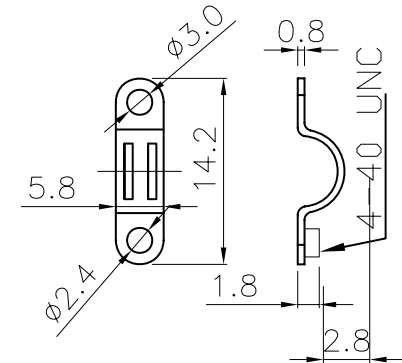
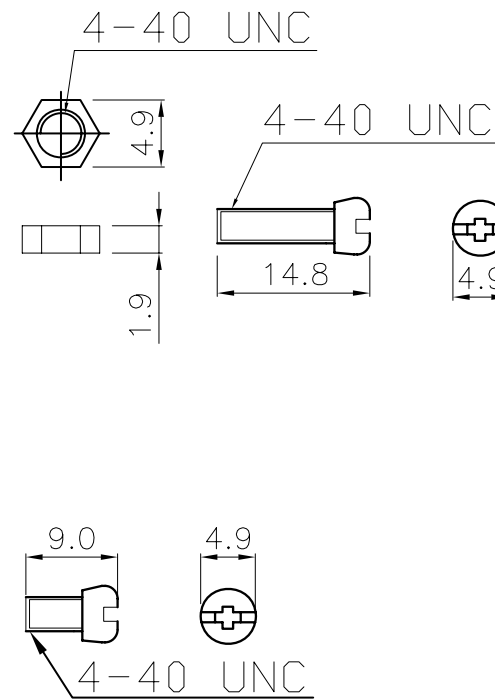
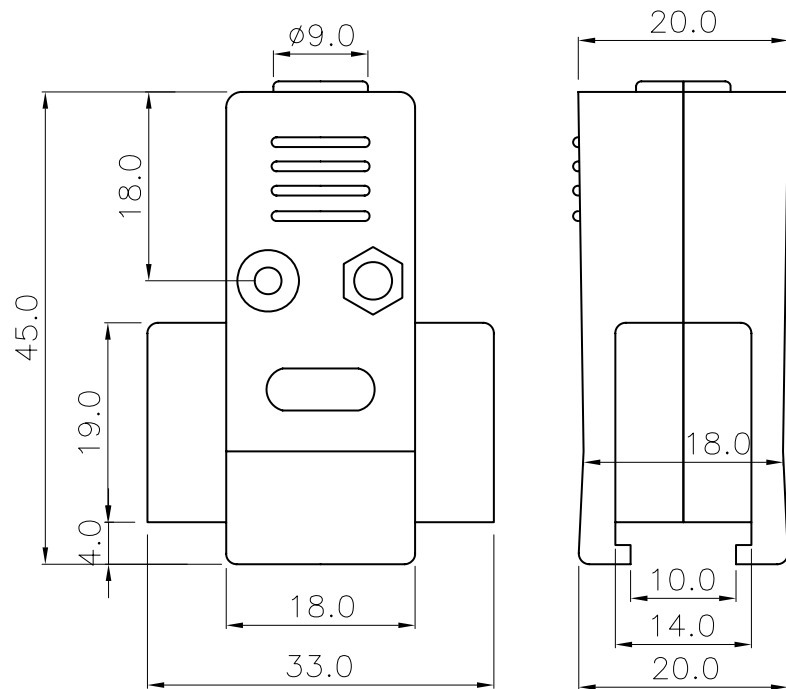


MATERIAL:  
 INSULATOR : ABS UL94HB  
 SCREW: STEEL  
 FINISHED : NICKEL PLATED



RoHS Compliant

TOLERANCES ARE

**MORETHANALL**  
 PCB CONNECTORS  
 Cable ASSEMBLIES

DRAWING BY CY

X. ± 0.50

CHECKED BY GENIUS

.X ± 0.30

UNIT / mm

SCALE 1 : 1

.XX ± 0.20

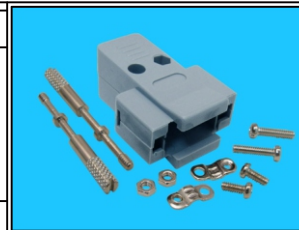
DATE

.XXX ±

ANG ±

SIZE A4

PPOJECTION



ORDER INFORMATION

DHL-G1TD-09-LF  
 SERIES | | | | | T LEADFREE  
 | | | | | 09WAY  
 | | | | | GROOVING  
 | | | | | THUMBSCREW  
 | | | | | SINGLE PACKING  
 GRAY

煜倫股份有限公司

www.morethanall.com

DESCRIPTION: