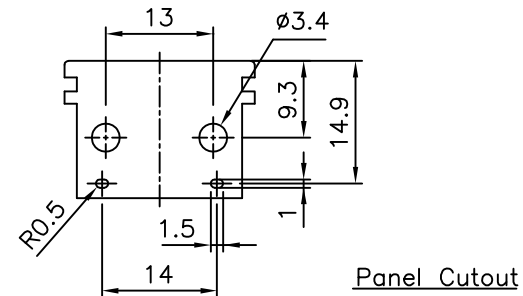
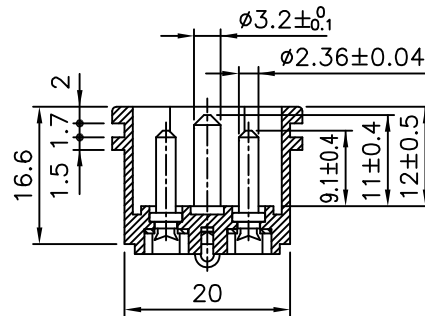
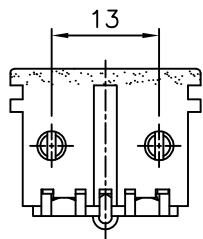
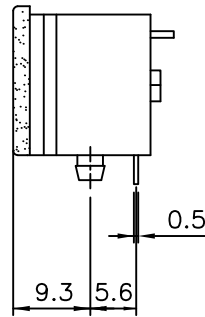
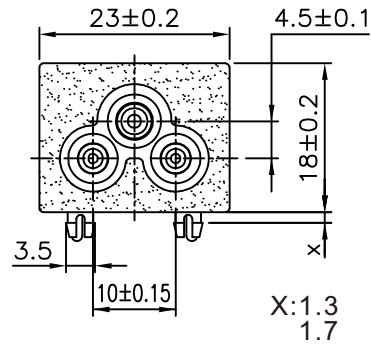


Rating: 2.5A 250V AC
 Approvals: UL/CSA/VDE/NEMKO/CCC

5	Soldering PIN Brass Strip t=0.5mm Tin-Plated(Matte tin)	2
4	Soldering PIN-TOP Brass Strip t=0.5mm Tin-Plated(Matte tin)	1
3	Solid Contact PIN Brass Strip d=Ø2.36mm Ni-Plated	2
2	Solid Contact PIN Brass Strip d=Ø3.2mm Ni-Plated	1
1	Body Insulator PC Black Color	1



Panel Cutout

RoHS Compliant

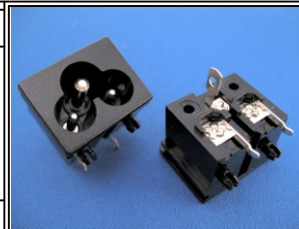
TOLERANCES ARE



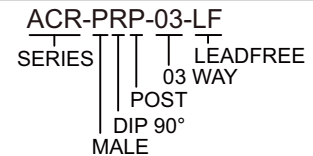
煜倫股份有限公司

www.morethanall.com

DRAWING BY CY		X, ± .X, ± .XX, ± .XXX, ± ANG, ±
CHECKED BY GENIUS		
UNIT / mm	SCALE 1 : 1	
DATE		
SIZE A4	PPOJECTION	



ORDER INFORMATION



DESCRIPTION: