

## Features:

- 2 ~ 20 circuits available
- Material: UL 94V-0 nylon 66
- Applicable P. C. board thickness: .063"(1.6mm)

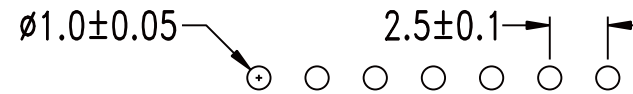
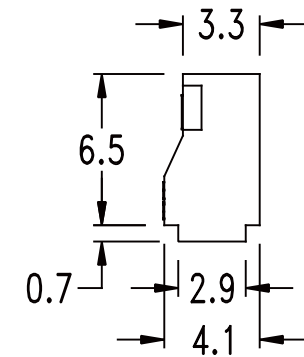
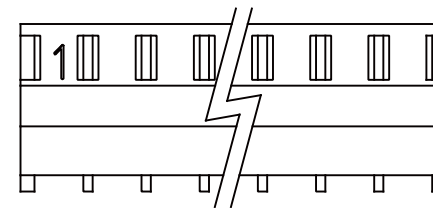
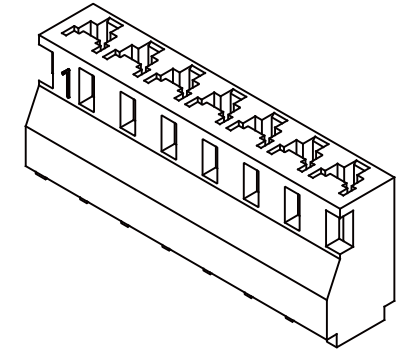
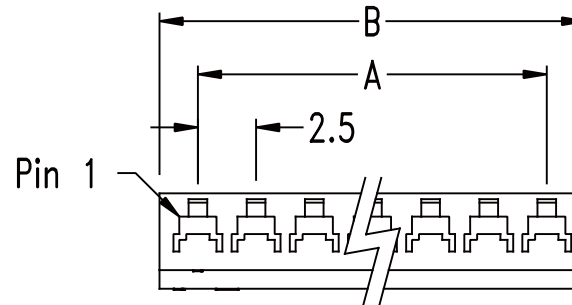
## Specification:

- Current rating: 3A AC, DC
- Voltage rating: 250V AC, DC
- Insulation resistance: 1000M $\Omega$  Min.
- Dielectric withstanding voltage: 1000V AC/minute
- Ambient temperature range: -40°C ~ 105°C

## Dimensional Information ( mm )

Circuits	Dim. A	Dim. B
N	2.5 x ( N - 1 )	2.5 x N + 0.8

&& N = 2 ~ 20



P. C. board hole dimension

**RoHS Compliant**

TOLERANCES ARE

**MORETHANALL**  
PCB CONNECTORS  
Cable ASSEMBLIES

DRAWING BY CY

CHECKED BY GENIUS

UNIT / mm

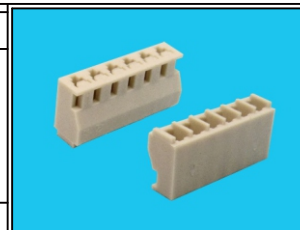
SCALE 1 : 1

DATE

SIZE A4

PPOJECTION

X,  $\pm$   
.X  $\pm$  0.40  
.XX  $\pm$  0.25  
.XXX  $\pm$  0.08  
ANG  $\pm$



**ORDER INFORMATION**

SCM-H-xx-LF  
SERIES | LEADFREE  
02-20 WAY  
HOUSING

**煜倫股份有限公司**

[www.morethanall.com](http://www.morethanall.com)

DESCRIPTION: