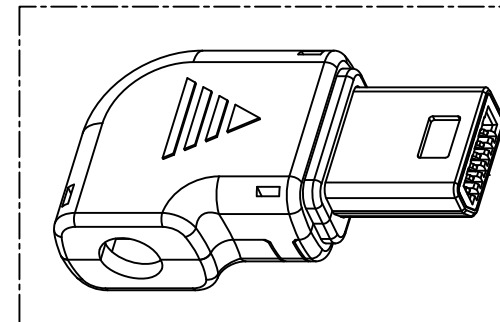


ITEM 項目	PARTS NAME 零件名稱	Q'TY 數量	MATERIAL 材質	FINISH/REMARK 處理/備註
1	HOUSING	1	NYLON	(Black)
2	TOP COVER	1	A.B.S	(Black)
3	BOTTOM COVER	1	A.B.S	(Black)
4	CONTACT-1	6	Phosphor Bronze	Gold flash selective
5	CONTACT-2	5	Phosphor Bronze	Gold flash selective
6	SHELL	1	STAINLESS	Ni:50u"



**SPECIFICATION**

**MATERIAL**

See drawing

**STANDARD DATA**

Rating current: 0.5A

Operating temperature: -30°C ~ +60°C

Storage temperature: -40°C ~ +85°C

**ELECTRICAL**

Insulator resistance: 1000M ohms Min. @ 250 VDC

Withstanding voltage: 100 VAC / minute

Contact resistance: 50 m ohms Max.

**MECHANICAL**

Mating force: 30N(3.06kgf) Max.

Unmating force (Without lock): 4.2N(0.43kgf) Min.

Durability: 10000 cycles Min.

Contact retention force: 4.2N(0.43kgf) Min

**RoHS Compliant**

TOLERANCES ARE

**MORETHANALL**  
PCB CONNECTORS  
Cable ASSEMBLIES

煜倫股份有限公司

www.morethanall.com

DRAWING BY CY

CHECKED BY GENIUS

UNIT / mm

SCALE 1 : 1

DATE

SIZE A4

PPOJECTION

X. ±

.X ±

.XX ±

.XXX ±

ANG ±



**ORDER INFORMATION**

CPHTC-PAR-11-LF

SERIES LEADFREE  
11 WAY  
90°  
ASSEMBLY  
MALE

DESCRIPTION: PLUG IN CONNECTOR SMT type-11 position