

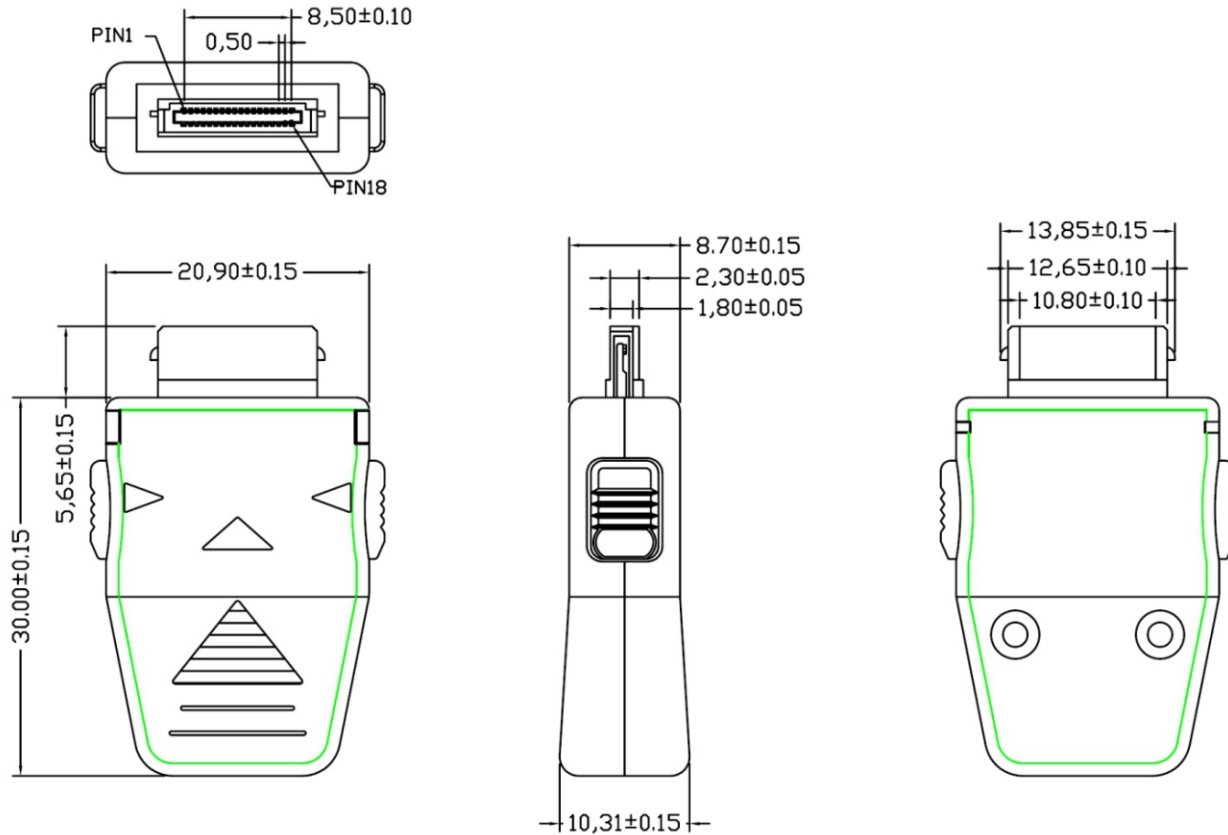
NOTE:

1, MATERIALS AND FLASH:

INSULATOR: HIGH TEMPERATURE RESIN
 CONTACT: COPPER ALLOY/Au PLATED
 SPRING: STAINLESS STEEL
 SPRING COVER: THERMOPLASTIC UL 94V-0 GRAY
 COVER: THERMOPLASTIC UL 94V-0 BLACK

2, SPECIFICATIONS:

- (1) DURABILITY: 1500 MATING CYCLES MIN.
- (2) CURRENT-MAX: 1.0A
- (3) CONTACT RESISTANCE: 50m OHM MAX. INITIALLY,
75 mOHMS AFTER 5000CYCLES
- (4) INSULATION RESISTANCE: 500M OHM MIN (AT 250 V DC 1 MINUTE)



RoHS Compliant

TOLERANCES ARE

MORETHANALL
 PCB CONNECTORS
 Cable ASSEMBLIES

DRAWING BY CY
 CHECKED BY GENIUS
 UNIT / mm SCALE 1 : 1
 DATE

X. ±
 X ±
 .XX ±
 .XXX ±
 ANG ±



ORDER INFORMATION

CPSAM-PA-18-LF
 SERIES | LEADFREE
 | 18WAY
 | ASSEMBLY
 MALE

煜倫股份有限公司

www.morethanall.com

SIZE A4 PROJECTION

DESCRIPTION: