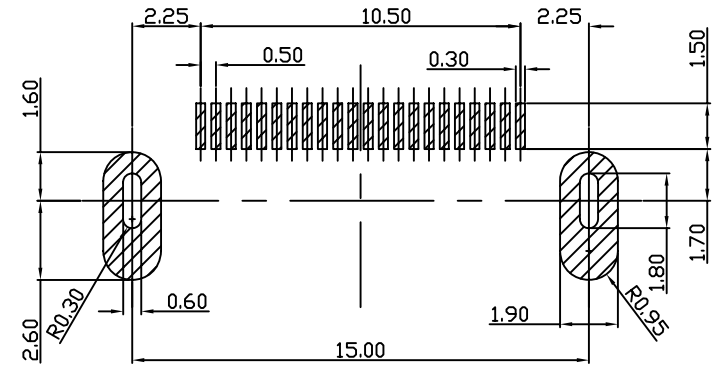
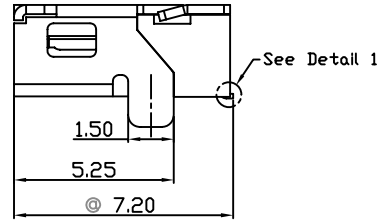
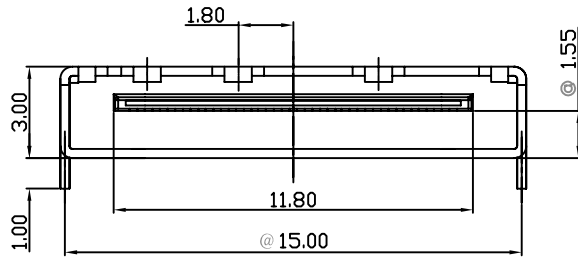
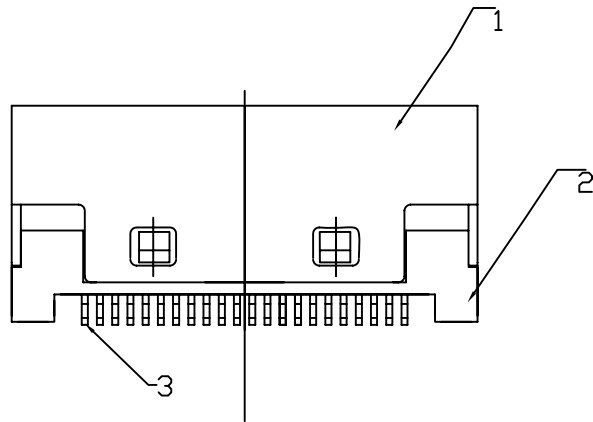


Detail 1
Scale 4:1

IETM	TITLE	PART MD.	MATERIAL	Finish Remarks	Dosage
1	鐵殼		SUS304-1/2H	Ni40~70u'	1
2	本體		LCP		1
3	端子		C5210-SH	Ni50u*MIN Au18u*+G/F	22



RECOMMENDED PC BOARD LAYOUT
TOLERANCE: ±0.05mm [TOP VIEW]



RoHS Compliant

TOLERANCES ARE

MORETHANALL
PCB CONNECTORS
Cable ASSEMBLIES

DRAWING BY CY

X.±

CHECKED BY GENIUS

.X±

UNIT / mm

SCALE 1:1

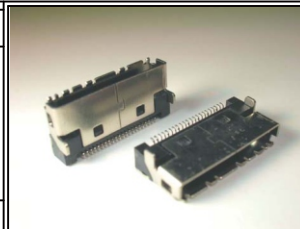
.XXX±

DATE

ANG±

SIZE A4

PJECTION



ORDER INFORMATION

CPSAM-JW18-22-LF

SERIES

LEADFREE

22 WAY

1.8mm

90°SMT

JACK

煜倫股份有限公司

www.morethanall.com

DESCRIPTION: 22pin Female I/O Connector (TYPE2)