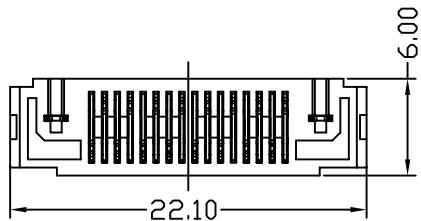
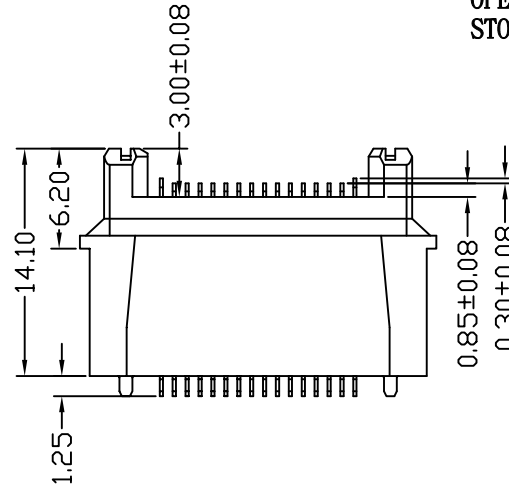
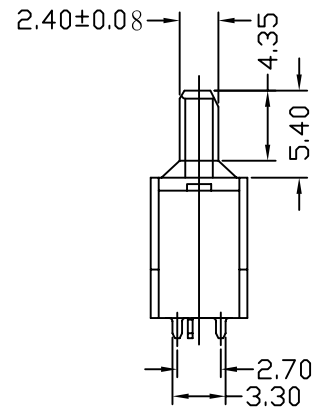
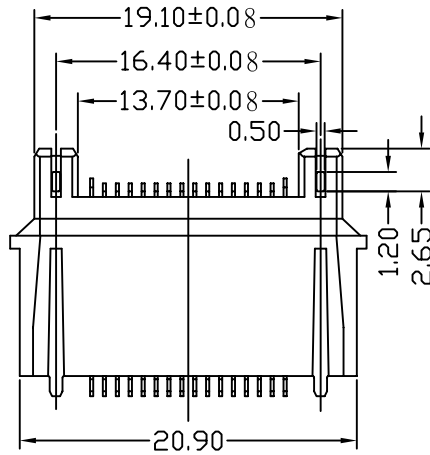


NOTES:

1. ELECTRICAL SPECIFICATION:
 CURRENT RATING: 0.8A
 VOLTAGE RATING: 250VAC
 DIELECTRIC WITHSTANDING VOLTAGE: MIN 300VAC
 INSULATION RESISTANCE: MIN 100MΩ
 CONTACT RESISTANCE: MAX 120mΩ
2. ENVIRONMENTAL:
 OPERATING TEMPERATURE: -15°C TO +85°C
 STORAGE TEMPERATURE: -30°C TO +85°C



NO.	PART NO.	NAME	MATERIAL	COLOR	QTY
1	———	HOUSING			1PCS
2	———	TERMINAL	SEE NOTE3:	SEE NOTE3:	16PCS
3	———	LATCH			2PCS

RoHS Compliant

TOLERANCES ARE

MORETHANALL
 PCB CONNECTORS
 Cable ASSEMBLIES

煜倫股份有限公司

www.morethanall.com

DRAWING BY CY

CHECKED BY GENIUS

UNIT / mm

SCALE 1 : 1

DATE

SIZE A4

X, ±

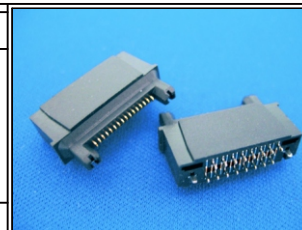
.X ±

.XX ±

.XXX ±

ANG ±

P PROJECTION



ORDER INFORMATION

CPMOL-PDP-16-LF

SERIES | | | LEADFREE
 16 WAY
 POST
 DIP 180°
 MALE

DESCRIPTION: