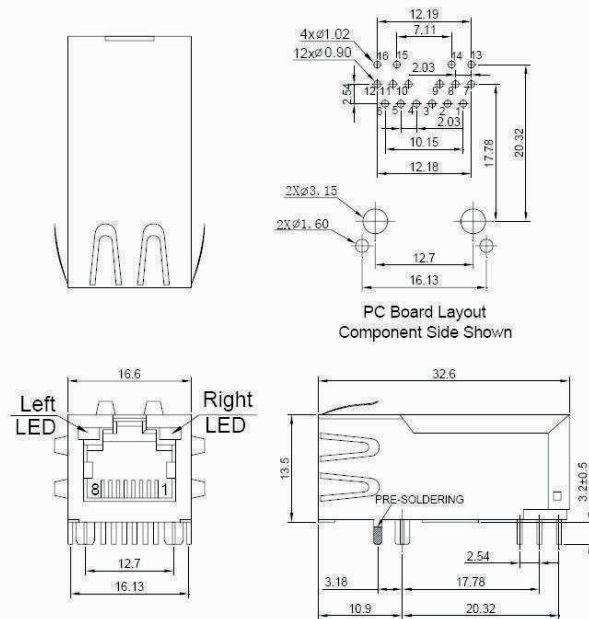
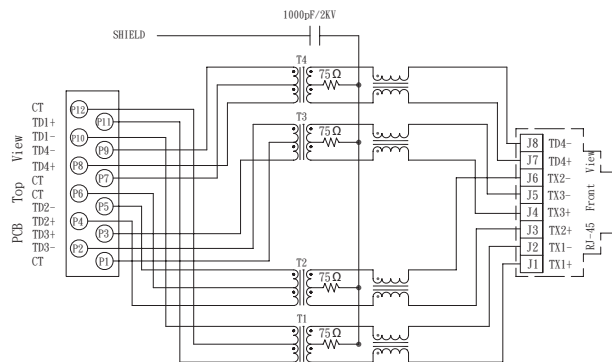


## 一、Mechanical Dimensions



UNIT:mm Unless otherwise specified, all tolerances are  $\pm 0.25$

## 二、Schematics



Standard LED	Wavelength	Forward V(MAX)	TYP
Green	565nm	2.5v	2.2v
Yellow	585nm	2.5v	2.1v

With a forward current of 20mA

## 三、ELECTRICAL SPECIFICATIONS@25°C:

1. Turn Ratio( $\pm 3\%$ ): 1CT:1CT
2. OCL(100KHz/0.1V@8mA):350uH MIN.
3. Insertion Loss(dB MAX):-0.8dB(0.3-100MHz),-1.2dB(100-120MHz)
4. Return Loss(dB MIN): -18dB(0.5-40MHz),-12+20log(f/80MHz)dB(40-100MHz)
5. Cross talk(dB TYP): -33+20log(f/100MHz)dB(0.1-100MHz)
6. CMR(dB MIN):-30dB(0.3-100MHz)
7. CDMR(dB TYP):-35dB(0.3-100MHz)
8. DCR(J1-J2,J3-J6,J4-J5,J7-J8):1.2Ω MAX
9. HI-POT(Pri to Sec) : 1500Vrms/0.5mA/60Sec or 1650Vrms/0.5mA/2Sec
10. Operating Temperature:-40°C TO +85°C
11. RoHS compliance:YES

RoHS Compliant

TOLERANCES ARE

**MORETHANALL**  
PCB CONNECTORS  
Cable ASSEMBLIES

DRAWING BY CY

CHECKED BY GENIUS

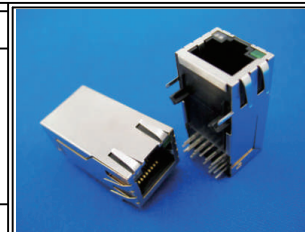
UNIT/ mm SCALE 1:1

DATE

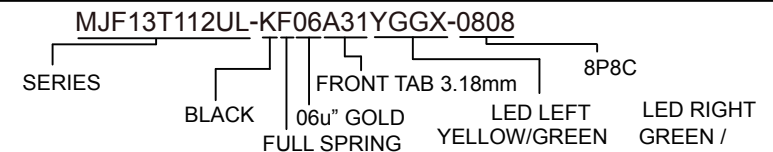
SIZE A4

X.  $\pm$   
.X  $\pm$   
.XX  $\pm$   
.XXX  $\pm$   
ANG  $\pm$

PPOJECTION



ORDER INFORMATION



DESCRIPTION: 1000 Base-T Single Port Rj45 Integrated Connector Modul

煜倫股份有限公司

www.morethanall.com

## 四、Mechanicals

### Housing Material:

MATERIAL: PA66+30%GF UL94V-0 STANDARD COLOR:BLACK

### Insert Material:

MATERIAL: QSn6.5-0.1---0.35mm Thickness

Insert -PBT GF UL94V-0

- 1.PLATING(1) NICKEL
- 2.PLATING(2) 100%Sn
- 3.PLATING(3) GOLD (6u " )

### plug into Housing Material:

PBT+30%GF UL 94V-0

### Contact pin Material:

MATERIAL: QSn6.5-0.1---0.35mm Thickness

- 1.PLATING(1) NICKEL
- 2.PLATING(2) 100%Sn

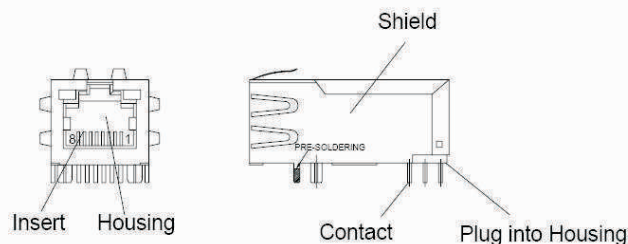
### Shielding Material:

BRASS H65Y PLATING NICKEL

### Operating Life:750 Cycles MIN.

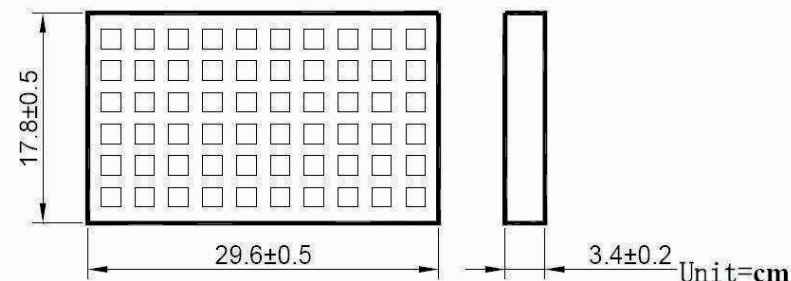
## 五、Environmental

- 1.Storage Temp:-40℃TO +85℃.
- 2.Operating Temp:-40℃TO +85℃
3. MATES WITH MODULAR PLUG CONFORMING TO FCC PART 68,SUBPARTE.

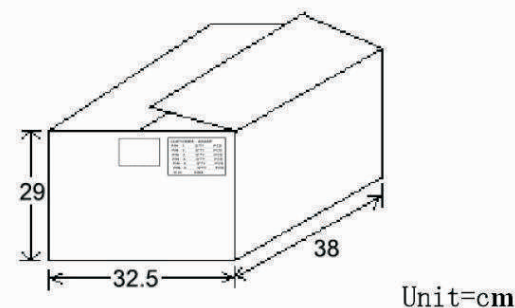


## 六、Packaging

1. packaging unit : 60 PCS/tray
2. packaging material : PET



3. outer carton unit: 840 pcs/ 14 Trays/box



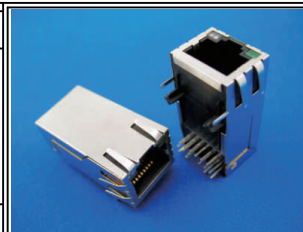
### RoHS Compliant

### TOLERANCES ARE

**MORETHANALL**  
PCB CONNECTORS  
Cable ASSEMBLIES  
**煜倫股份有限公司**

DRAWING BY CY  
CHECKED BY GENIUS  
UNIT/ mm SCALE 1:1  
DATE

X. ±  
.X ±  
.XX ±  
.XXX ±  
ANG ±



### ORDER INFORMATION

MJF13T112UL-KF06A31YGGX-0808  
SERIES BLACK FRONT TAB 3.18mm 06u" GOLD FULL SPRING LED LEFT YELLOW/GREEN LED RIGHT GREEN / 8P8C

DESCRIPTION: 1000 Base-T Single Port Rj45 Integrated Connector Modul

www.morethanall.com

SIZE A4 PPROJECTION