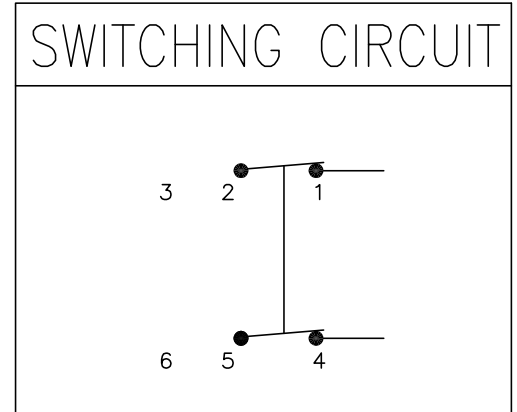
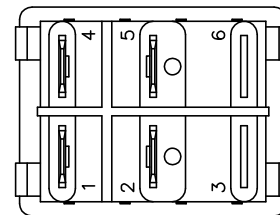
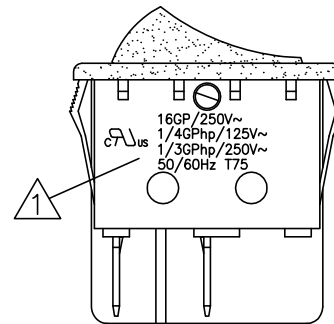
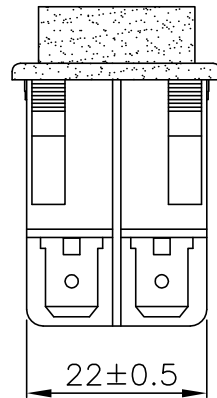
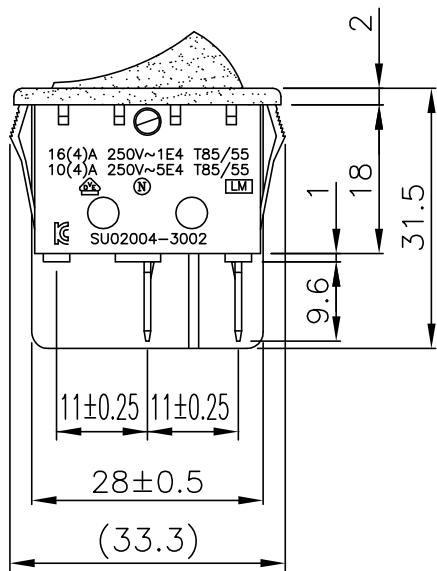


Rating: 16GPA/250V AC  
 1/4GPhp/125V~  
 1/3GPhp/250V~  
 50/60Hz T75

Approvals: UL/cUL

Rating: 16(4)A 250V~1E4 T85/55  
 10(4)A 250V~5E4 T85/55

Approvals: VDE/NEMKO/KTL



**MORETHANALL**  
 PCB CONNECTORS  
 Cable ASSEMBLIES

煜倫股份有限公司

www.morethanall.com

RoHS Compliant

DRAWING BY CY

CHECKED BY GENIUS

UNIT/mm SCALE 1:1

DATE

SIZE A4

TOLERANCES ARE

X, ±  
 .X ± 0.20  
 .XX ± 0.10  
 .XXX ±  
 ANG ±

PJECTION



ORDER INFORMATION

RSW-Q6PA-0604-LF

SERIES | 6P4C | LEADFREE  
 PANEL FRONT  
 TAB 6.3mm

DESCRIPTION: