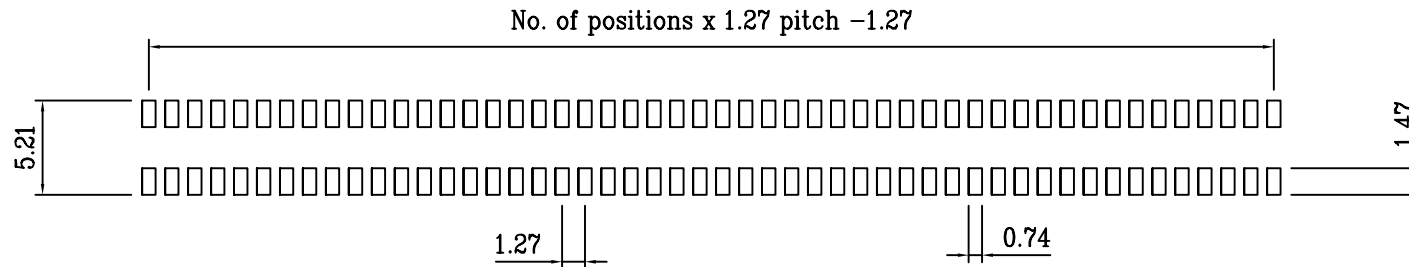
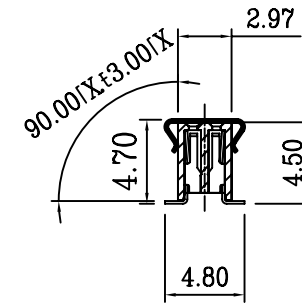
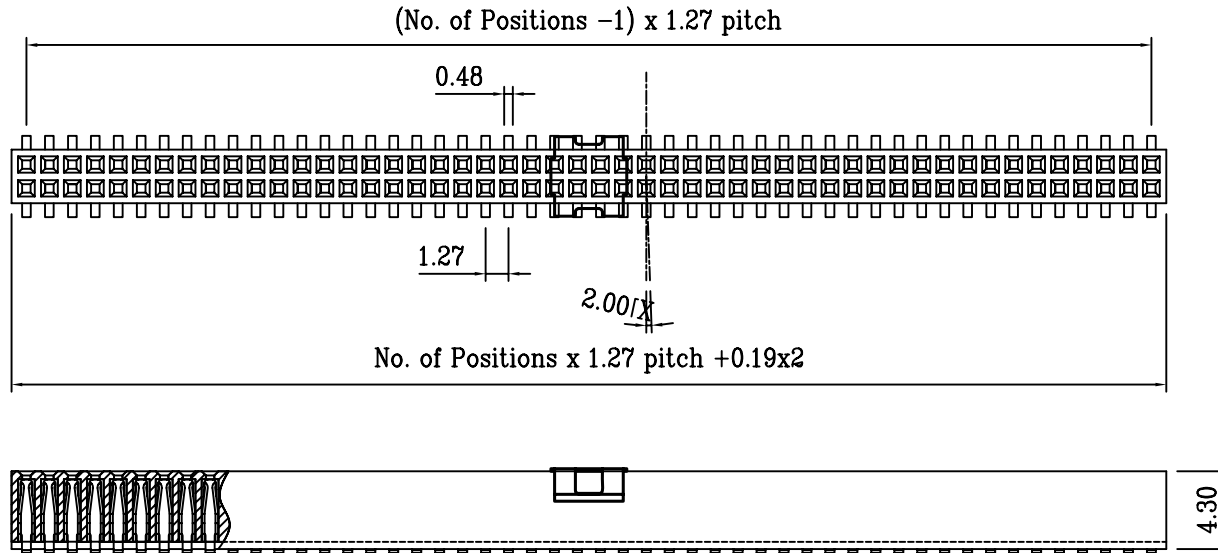


SPECIFICATIONS

- * Current Rating : 1 Amps
- * Insulator resistance: 5000 Megohms min.
- * Dielectric withstanding: AC 500 V
- * Operating Temperature: -40°-+105°C
- * Max Processing Temp: 230° for 30~60 seconds
(260° for 10 seconds)
- * Contact Material: Phosphor bronze
- * Housing: L.C.P (UL 94 V-0)



Recommended P.C.B. Layout

RoHS Compliant

TOLERANCES ARE

MORETHANALL
PCB CONNECTORS
Cable ASSEMBLIES

DRAWING BY CY

X ±

CHECKED BY GENIUS

.X ±

UNIT / mm

SCALE 1 : 1

.XX ±

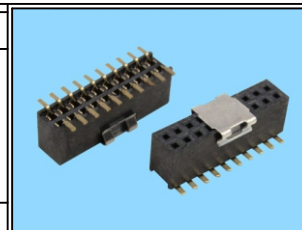
DATE

.XXX ±

ANG ±

SIZE A4

PJECTION



ORDER INFORMATION

YA-V45XC-2Xxx-LF

SERIES

LEADFREE

2X02:04 WAY

2X50:100 WAY

180°SMT

CAP

NON POST

HIGH 4.50mm

煜倫股份有限公司

www.morethanall.com

DESCRIPTION: