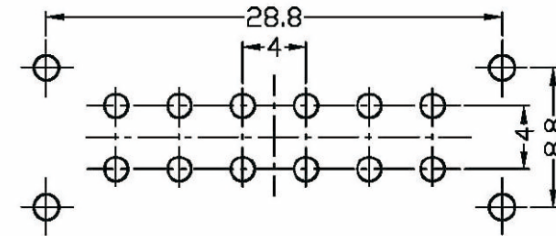
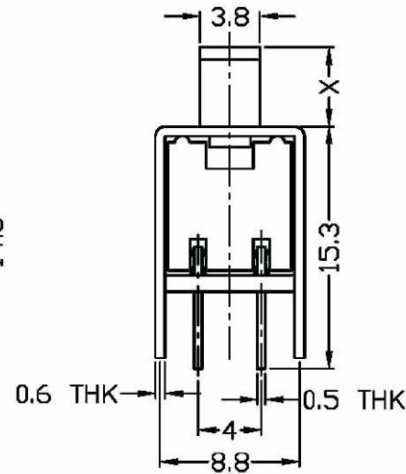
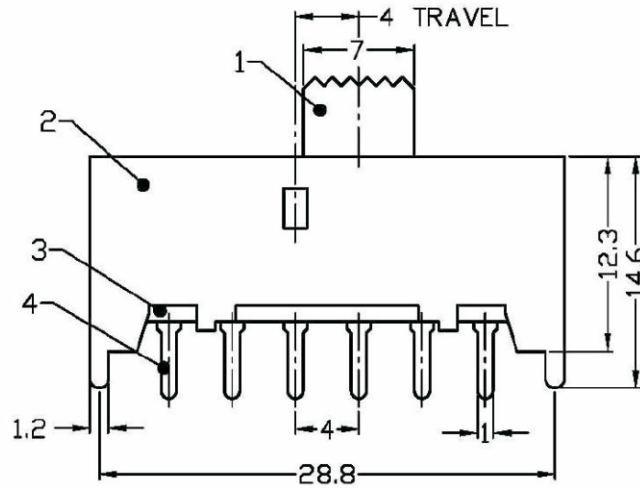


SCHEMATIC (SHORTING)



P. C. B LAYOUT

7	STEEL BALL	STEEL	2	NATURAL
6	CONTACT (CLIP)	PBS STRIP	4	Ag PLATED
5	SPRING	STEEL WIRE	1	TEMPER
4	TERMINAL	BRASS STRIP	12	Ag PLATED OVER Ni PLATED
3	TERMINAL BASE	PHENOLIC RESIN	1	NATURAL
2	FRAME	STEEL STRIP	1	Ni PLATED
1	KNOB	POM	1	BLACK
NO.	PART NAME	MATERIAL	QTY.	FINISHING

RoHS Compliant

TOLERANCES ARE

MORETHANALL
PCB CONNECTORS
Cable ASSEMBLIES

煜倫股份有限公司

www.morethanall.com

DRAWING BY CY

CHECKED BY GENIUS

UNIT / mm SCALE 1 : 1

DATE

SIZE A4

X, ±

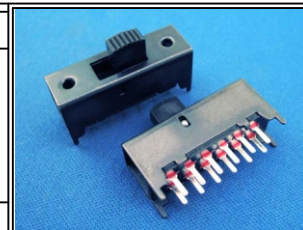
.X ±

.XX ±

.XXX ±

ANG ±

PPOJECTION



ORDER INFORMATION

SLSW40-DMxxx-2X06-LF

SERIES

LEADFREE

12 WAY

L:KNOB LENGTH mm

METAL FOOT

DIP 180°

DESCRIPTION: