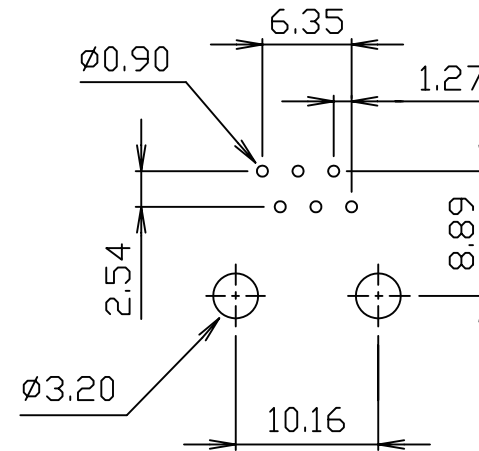
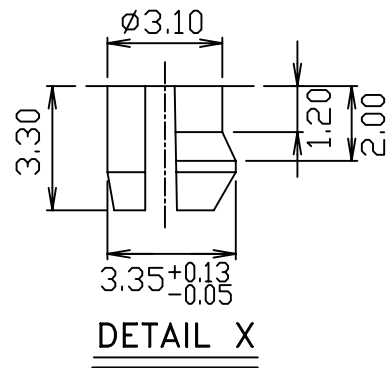
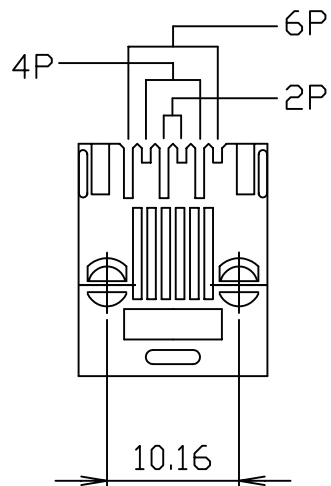


**MATERIALS:**

- HOUSING-PBT POLYESTER UL94V-0 MIXED GLASS FIBER, STANDARD COLOR-BLACK
  - CONTACTS-0.45mm DIA. ROUND PHOS-BRONZE PLATED WITH HARD GOLD.
- CAVITY CONFIRMS TO FCC RULES AND REGULATIONS



**PC Board Layout**

**RoHS Compliant**

TOLERANCES ARE

**MORETHANALL**  
PCB CONNECTORS  
Cable ASSEMBLIES

煜倫股份有限公司

www.morethanall.com

DRAWING BY CY

CHECKED BY GENIUS

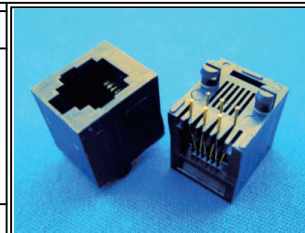
UNIT/mm SCALE 1:1

DATE

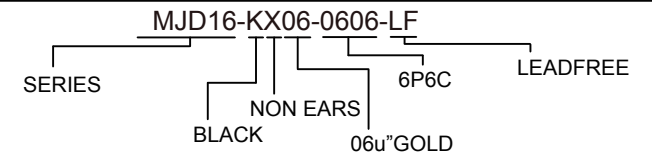
SIZE A4

P PROJECTION

X, ±  
.X ± 0.25  
.XX ± 0.13  
.XXX ± 0.05  
ANG ±



**ORDER INFORMATION**



DESCRIPTION: 6POSITION 180° (SPLIT PEGS) TOP ENTRY PCB JACK