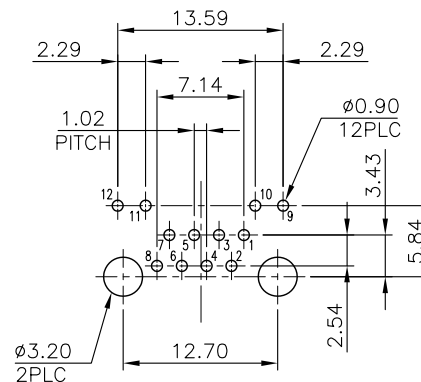


NOTE:

CAVITY CONFIRMS TO FCC RULES AND REGULATIONS PART 68, SUBPART F.

- MATERIAL:
HOUSING: PA46, WITH GLASS FIBER,
UL 94V-0, STANDARD COLOR-BLACK.
CONTACTS: PHOSPHOR BRONZE.
LED SOLDER TAIL: STEEL.
- FINISH:
CONTACTS: GOLD PLATED ON CONTACT AREA,
2.54μm [100μ"] TIN PLATED ON SOLDER TAIL,
WITH ENTIRE CONTACT UNDERPLATED
1.27μm [50μ"] MIN. NICKEL
LED SOLDER TAIL: 2.54μm [100μ"] MIN. TIN PLATED.



RECOMMENDED PCB LAYOUT
RECOMMENDED PCB THICKNESS: 1.6mm
TOLERANCE: ±0.05 (TOP VIEW)

RoHS Compliant

TOLERANCES ARE

MORETHANALL
PCB CONNECTORS
Cable ASSEMBLIES

DRAWING BY CY

X, ±
.X ± 0.25
.XX ± 0.13
.XXX ± 0.05
ANG ±

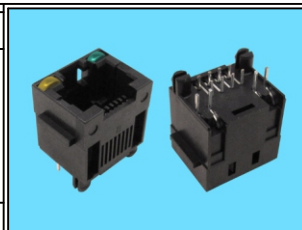
CHECKED BY GENIUS

UNIT / mm SCALE 1 : 1

DATE

SIZE A4

PJECTION



ORDER INFORMATION

MJD16UL-KE06xx-0808

SERIES | | | | 8P8C
BLACK | | | | LED1 / LED2
EAR | | | | GG:GREEN / GREEN
YG:YELLOW / GREEN
06u" GOLD

煜倫股份有限公司

www.morethanall.com

DESCRIPTION: RJ45, VERTICAL, FLAT PIN, WITHOUT SHELL, WITH LED'S